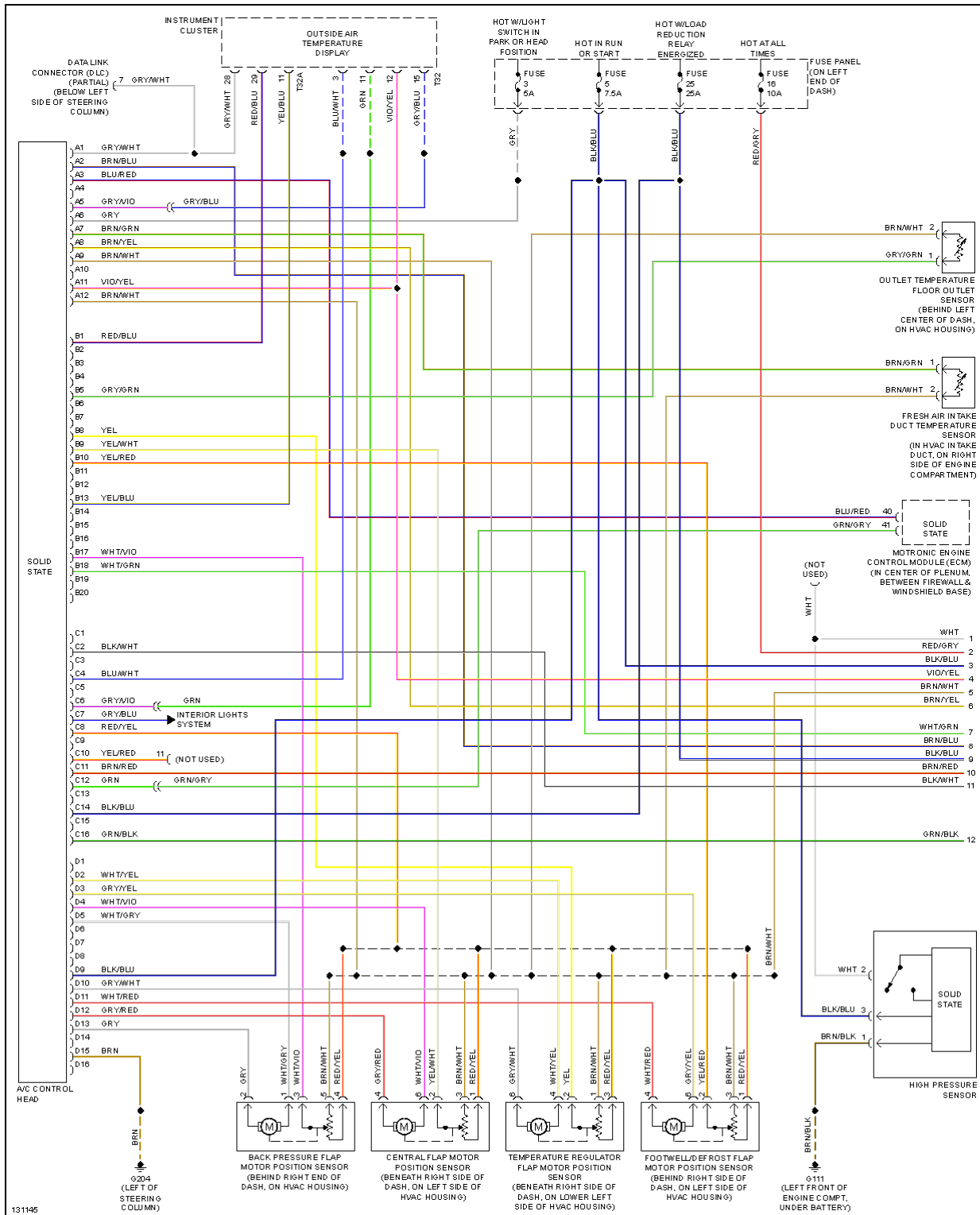


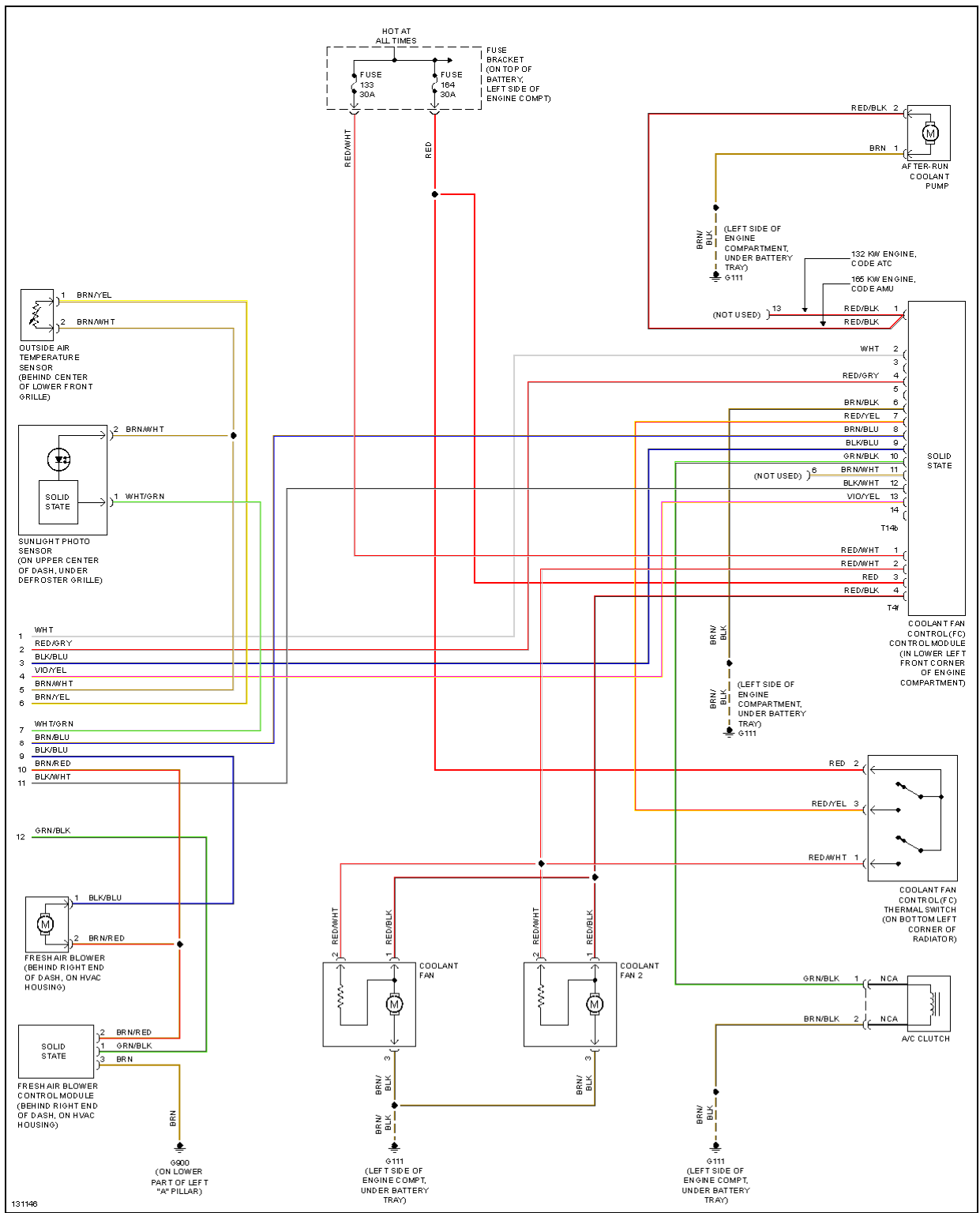
# SYSTEM WIRING DIAGRAMS

Audi - TT

## AIR CONDITIONING

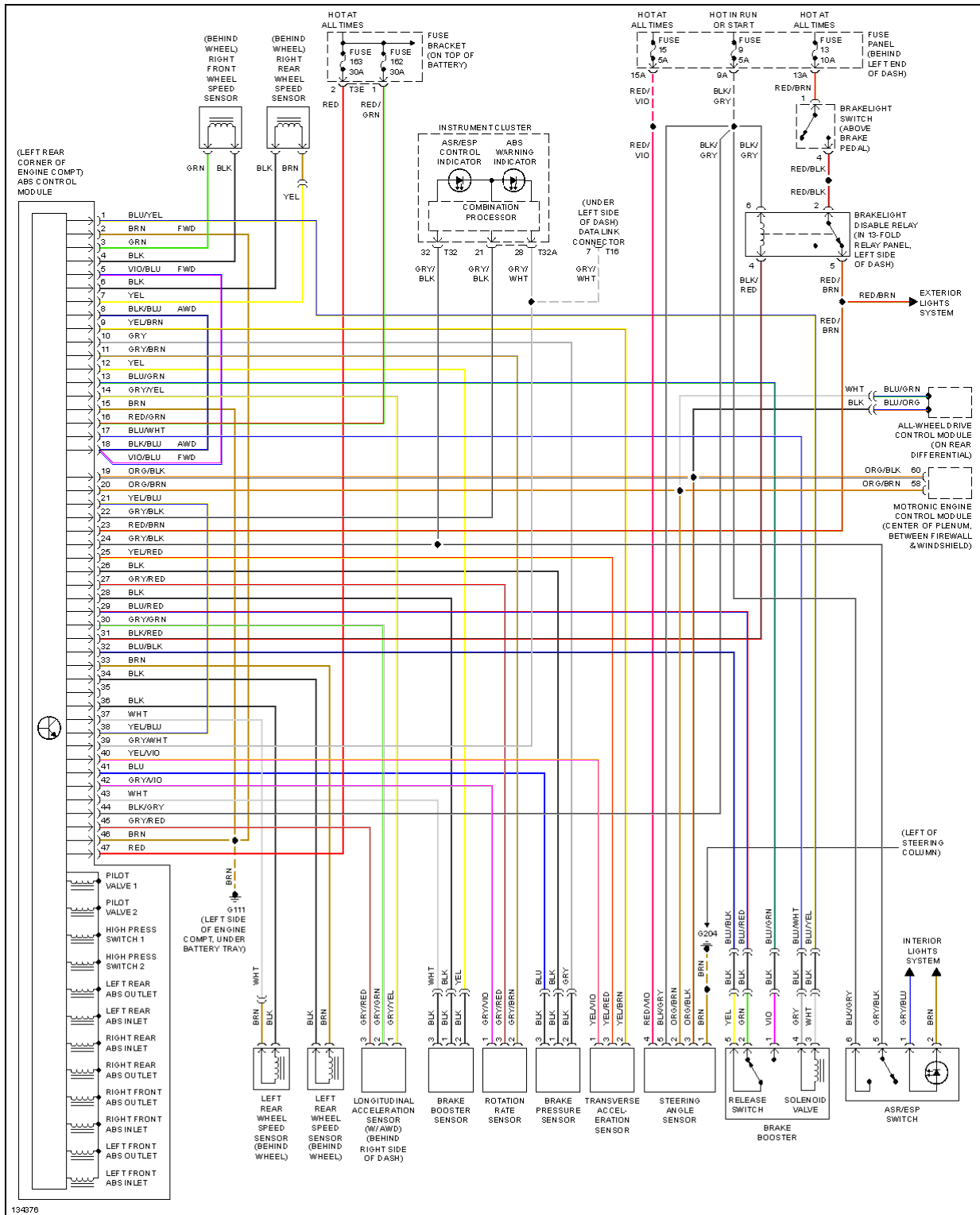


**Fig. 1: Automatic A/C Circuit (1 of 2)**



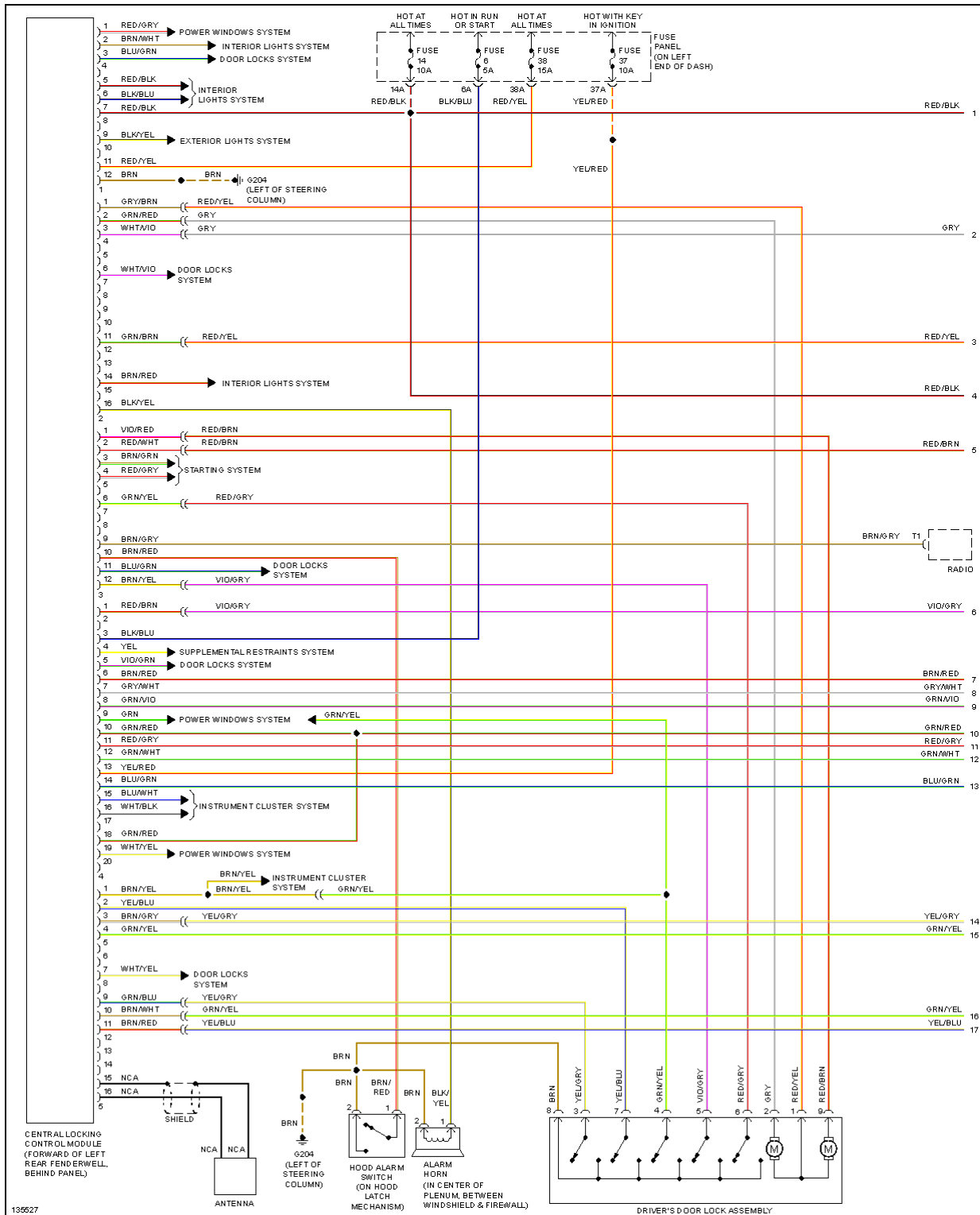
**Fig. 2: Automatic A/C Circuit (2 of 2)**

## **ANTI-LOCK BRAKES**



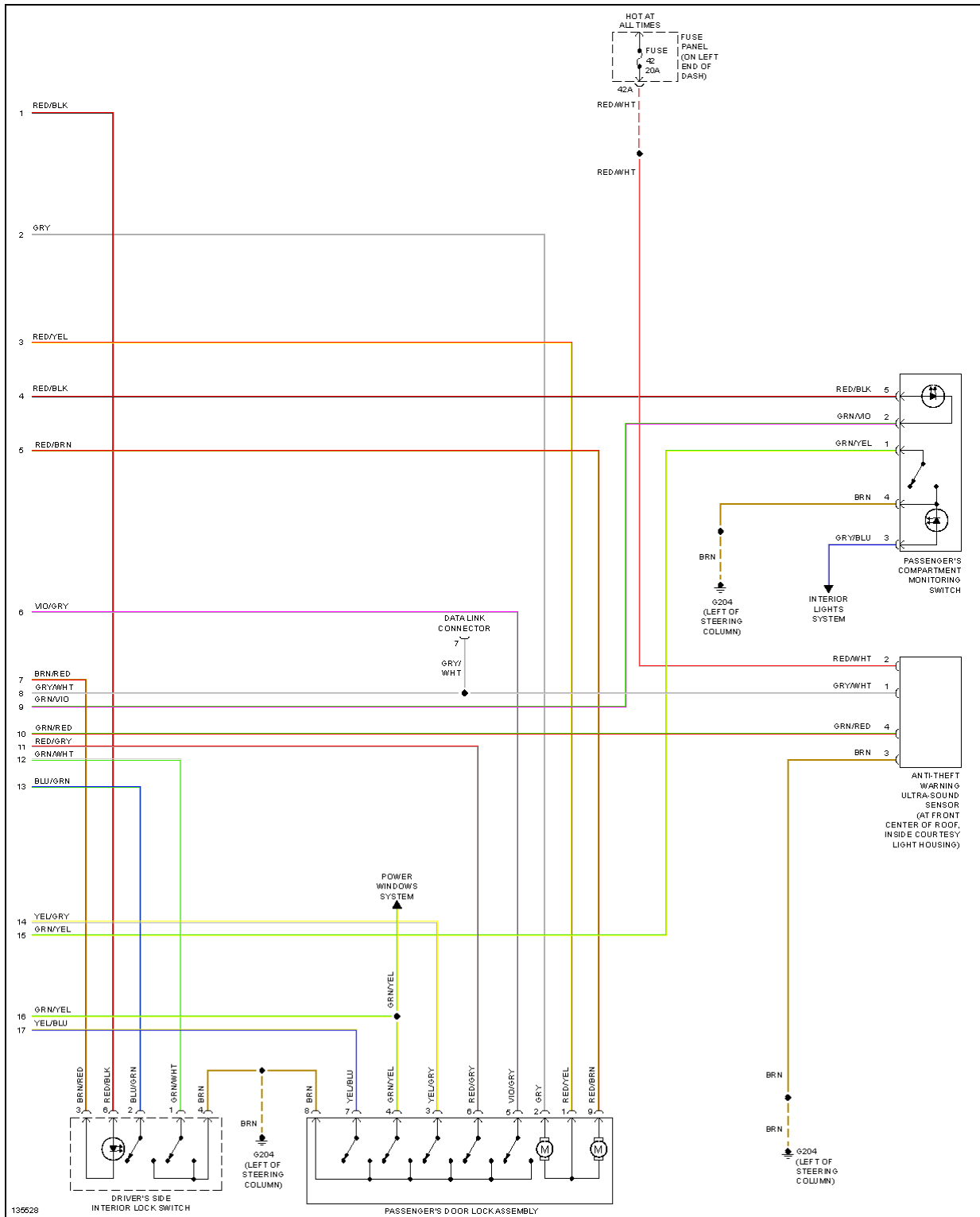
**Fig. 3: Anti-lock Brakes Circuit, W/ Electronic Stability Program**

**ANTI-THEFT**

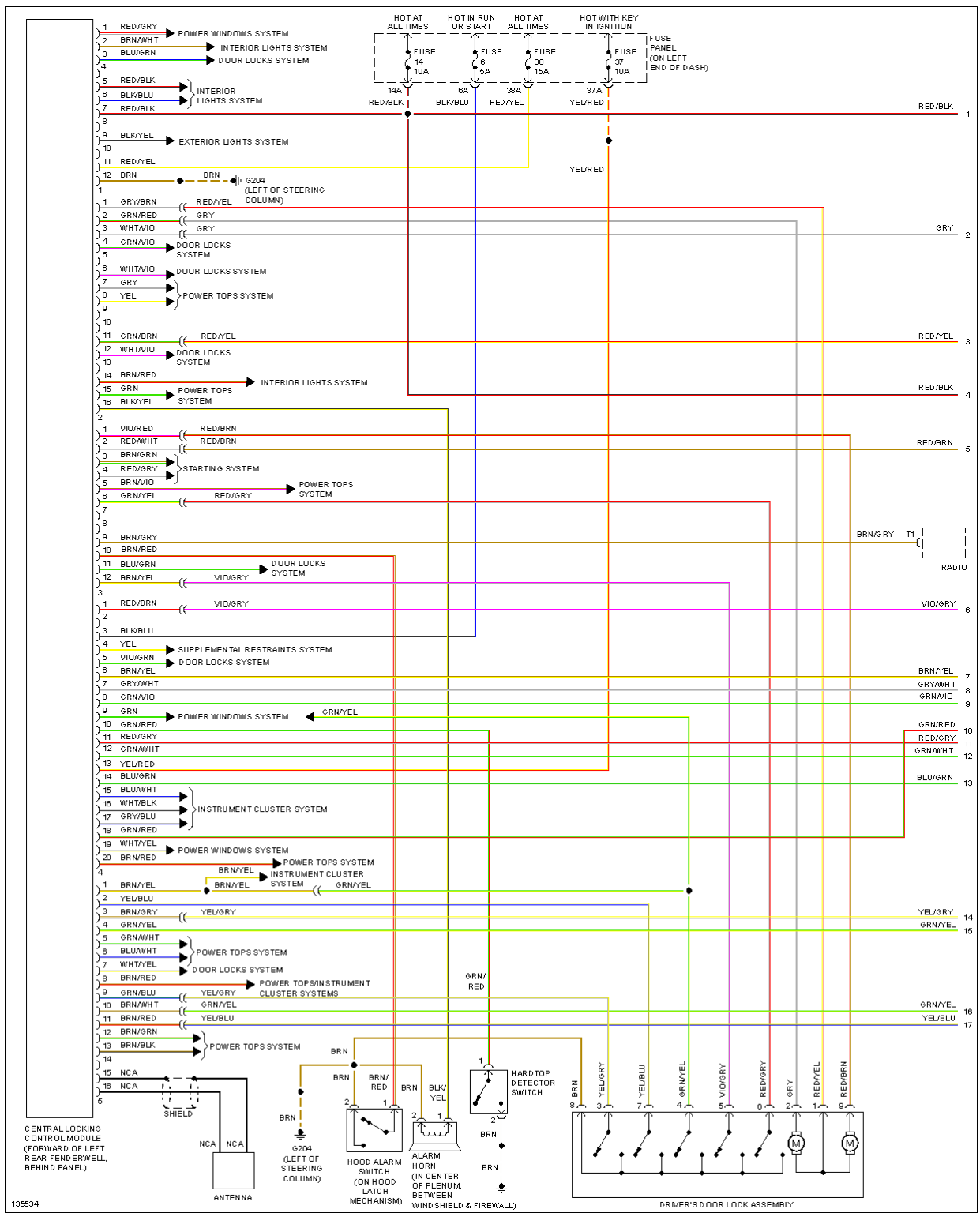




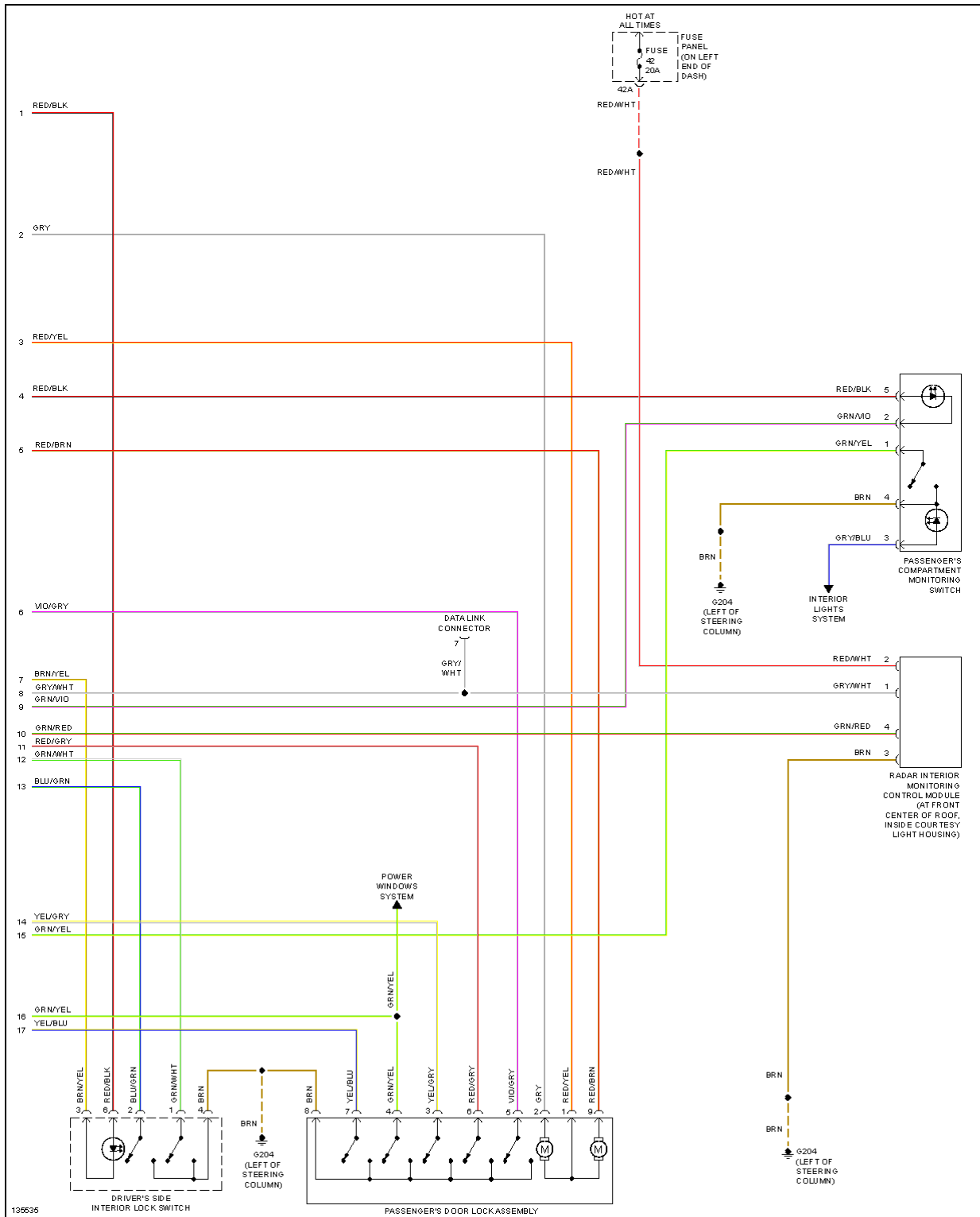
**Fig. 4: Anti-theft Circuit, Coupe (1 of 2)**



**Fig. 5: Anti-theft Circuit, Coupe (2 of 2)**

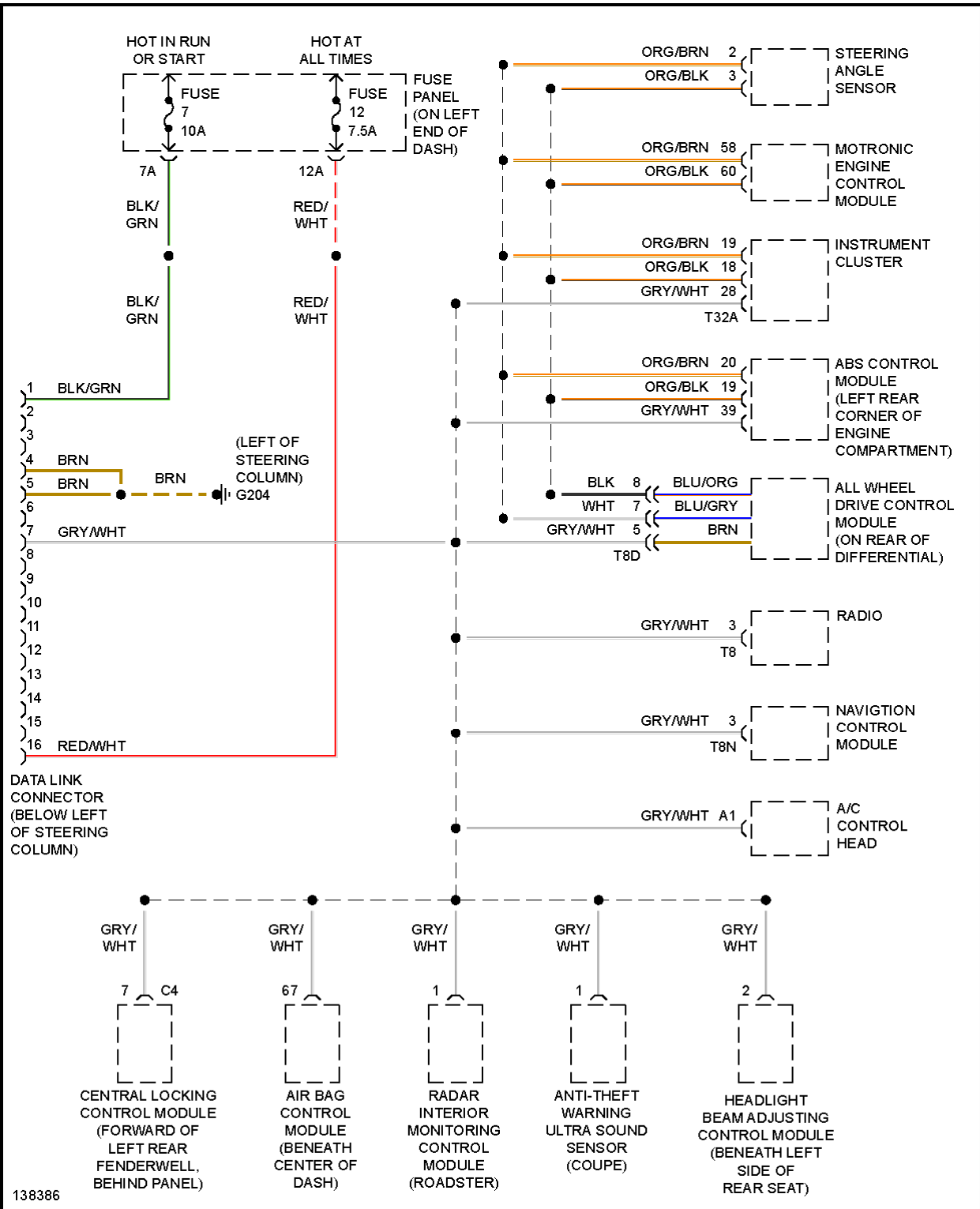


**Fig. 6: Anti-theft Circuit, Roadster (1 of 2)**



**Fig. 7: Anti-theft Circuit, Roadster (2 of 2)**

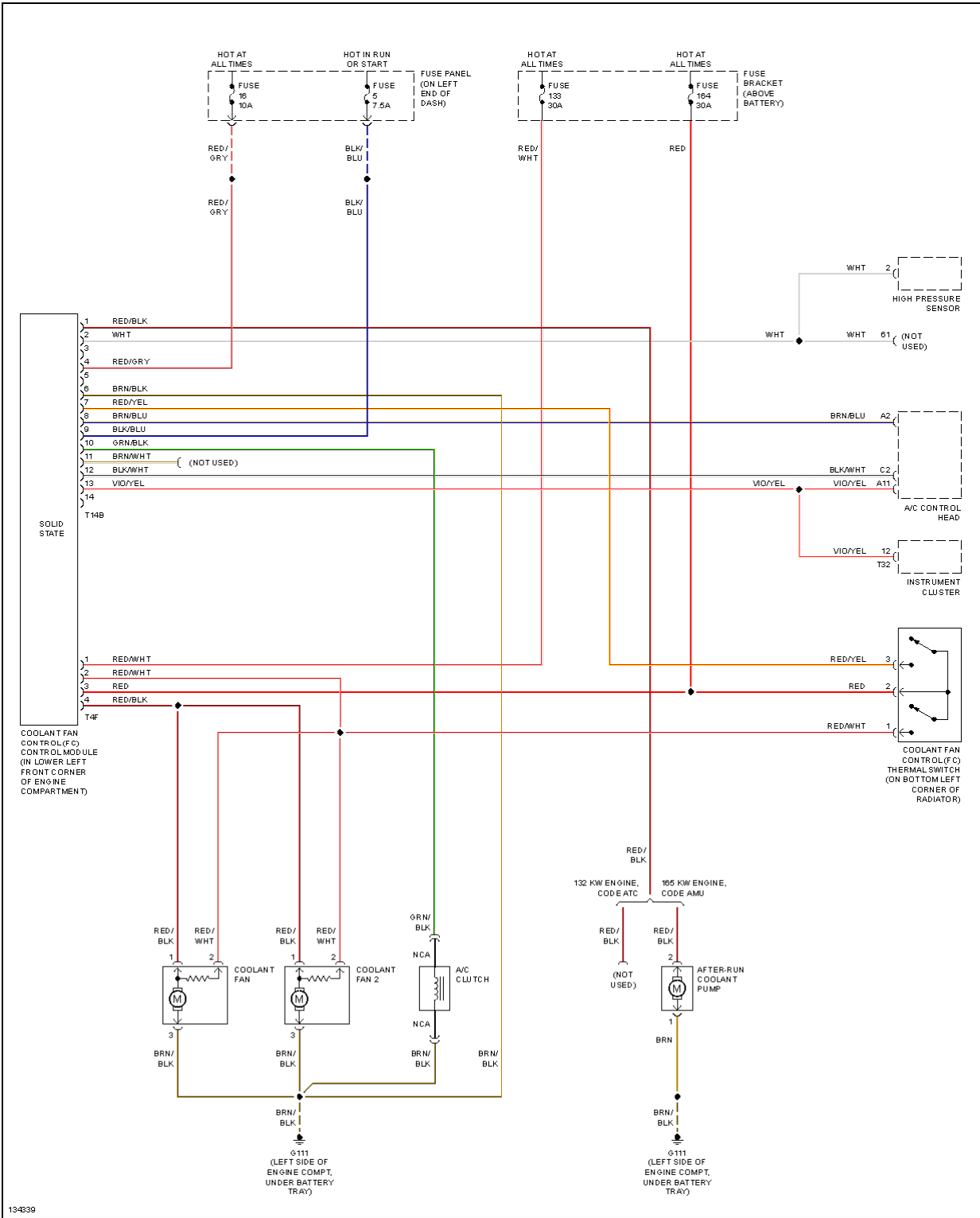
## **COMPUTER DATA LINES**





**Fig. 8: Computer Data Lines Circuit**

**COOLING FAN**



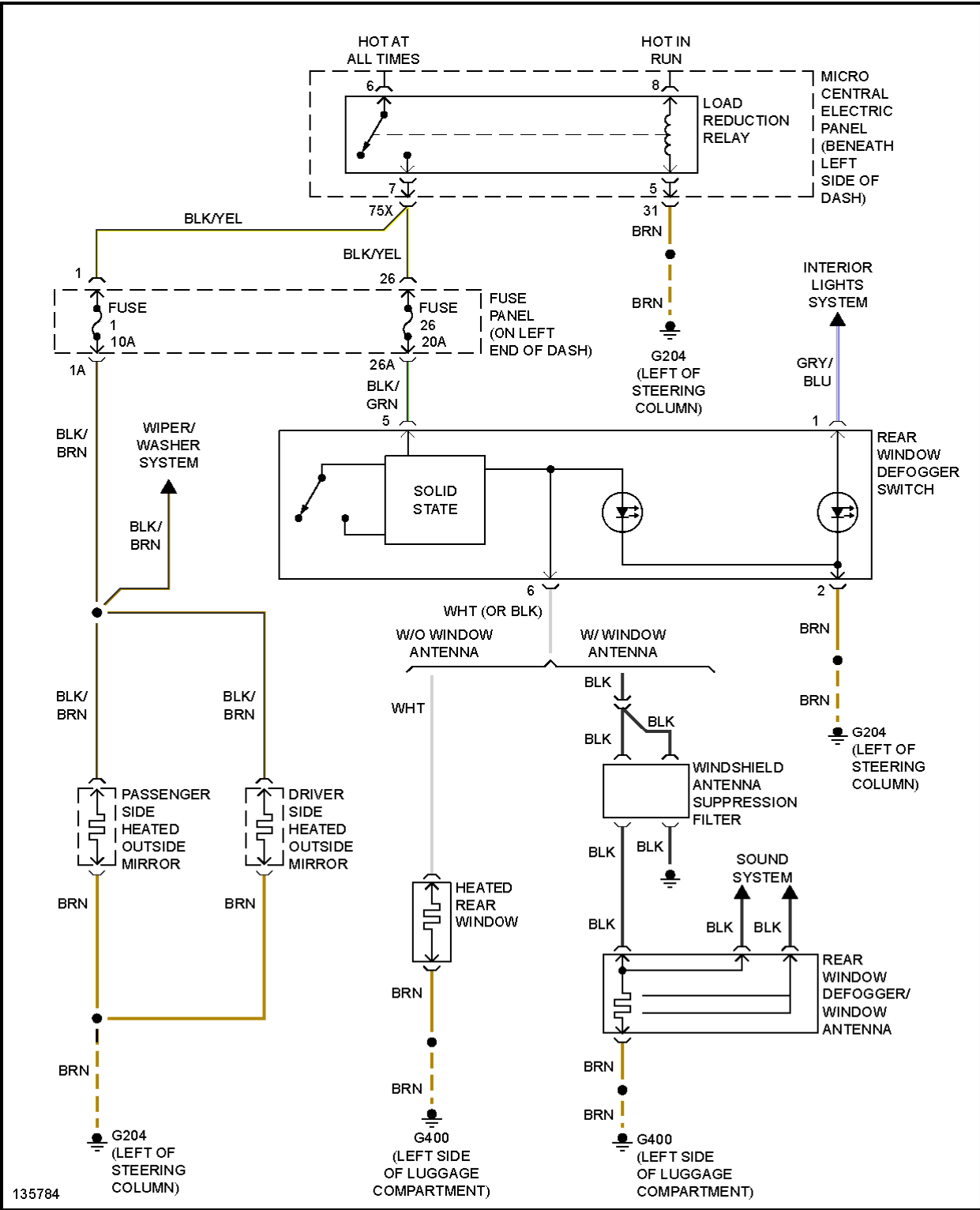
**Fig. 9: Cooling Fan Circuit**

**CRUISE CONTROL**

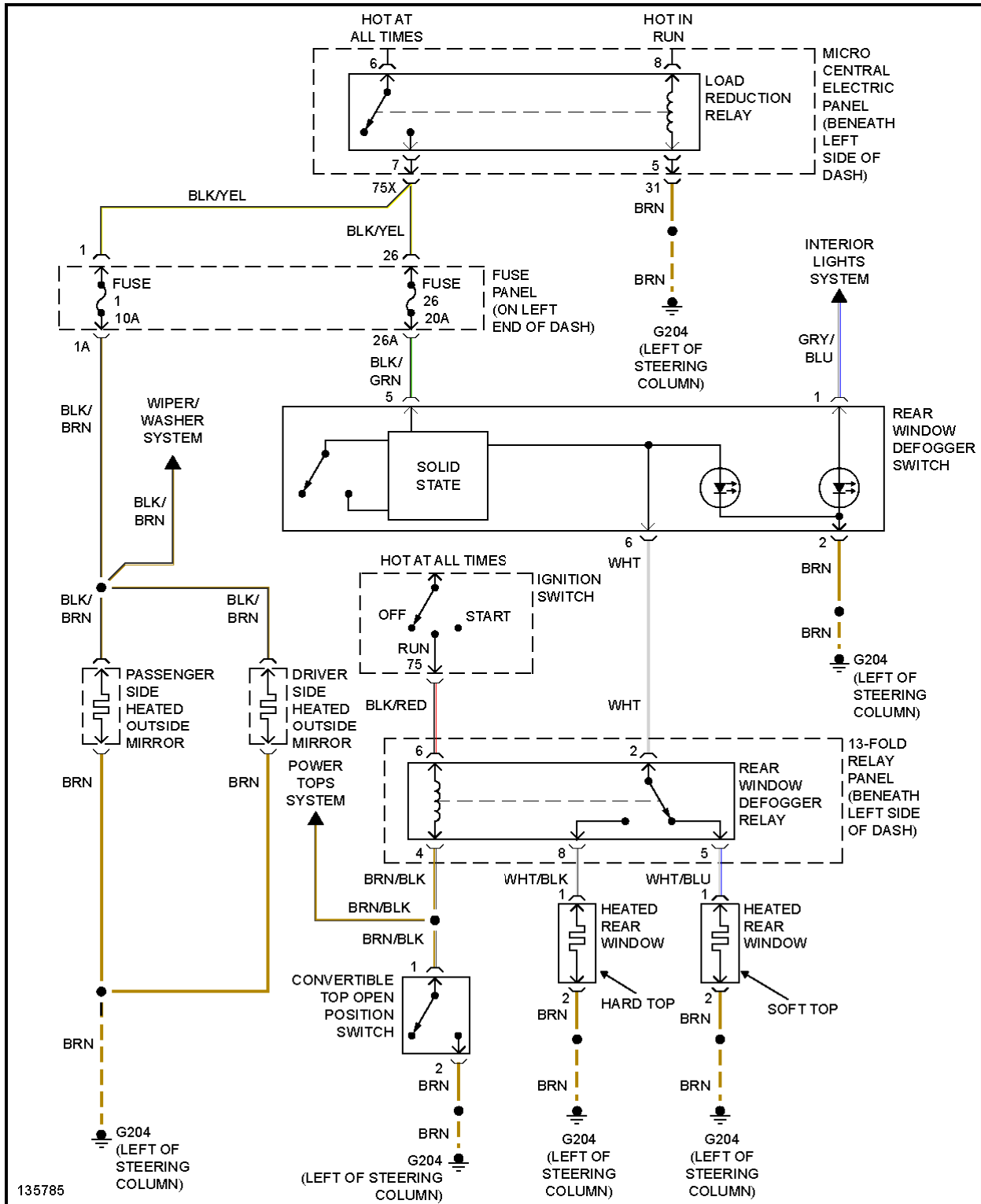


**Fig. 10: Cruise Control Circuit**

**DEFOGGERS**



**Fig. 11: Defoggers Circuit, Coupe**

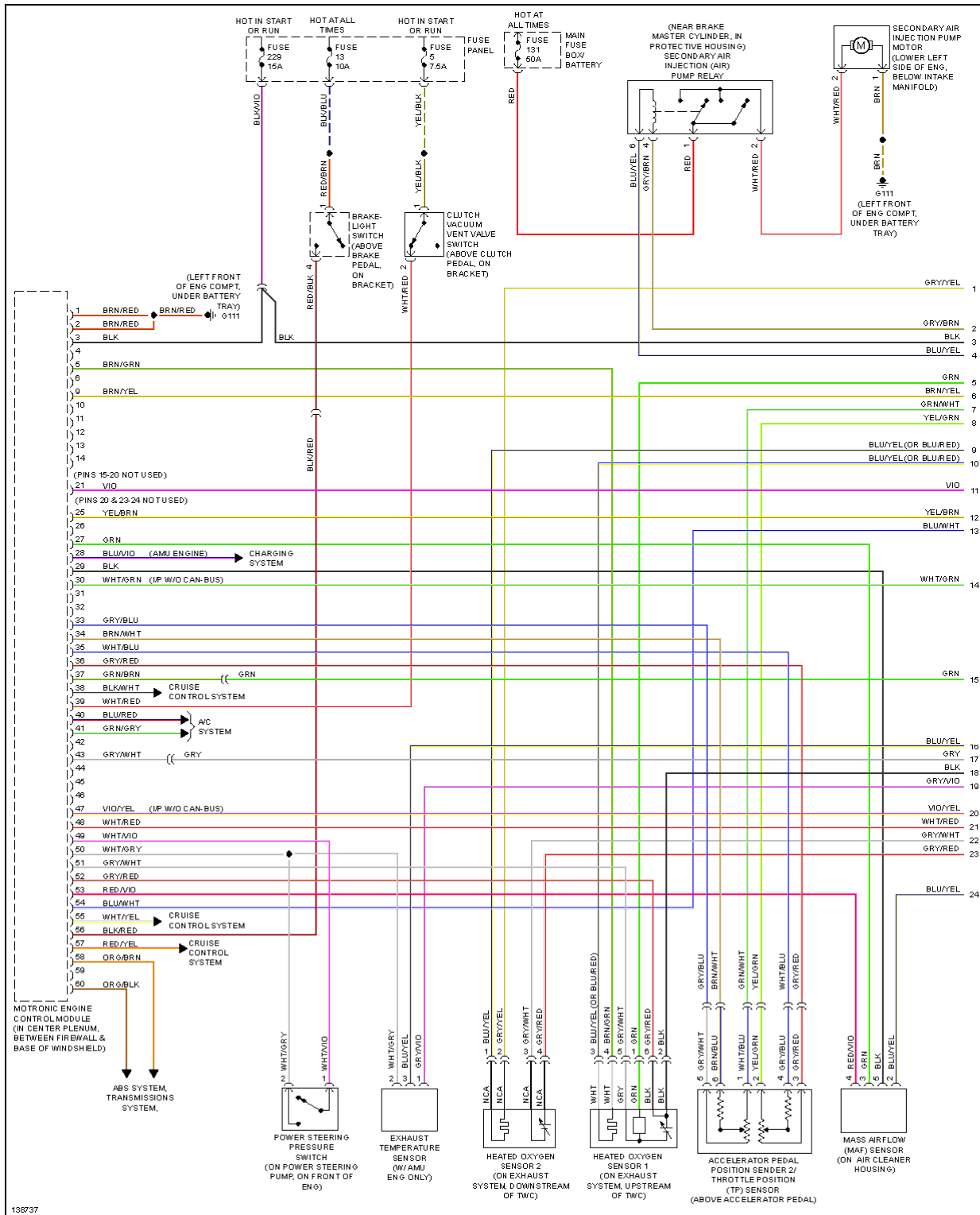




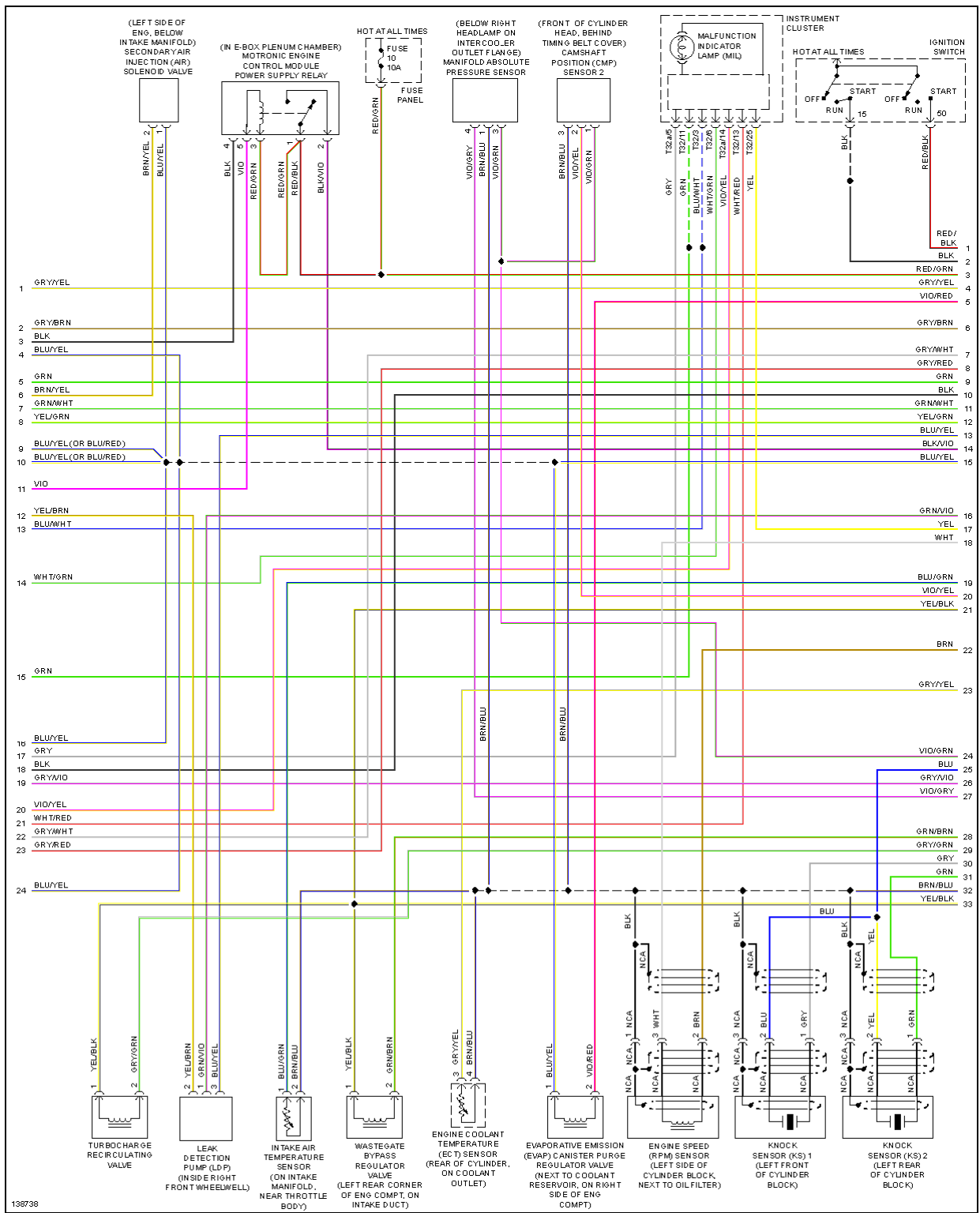
**Fig. 12: Defoggers Circuit, Roadster**

## **ENGINE PERFORMANCE**

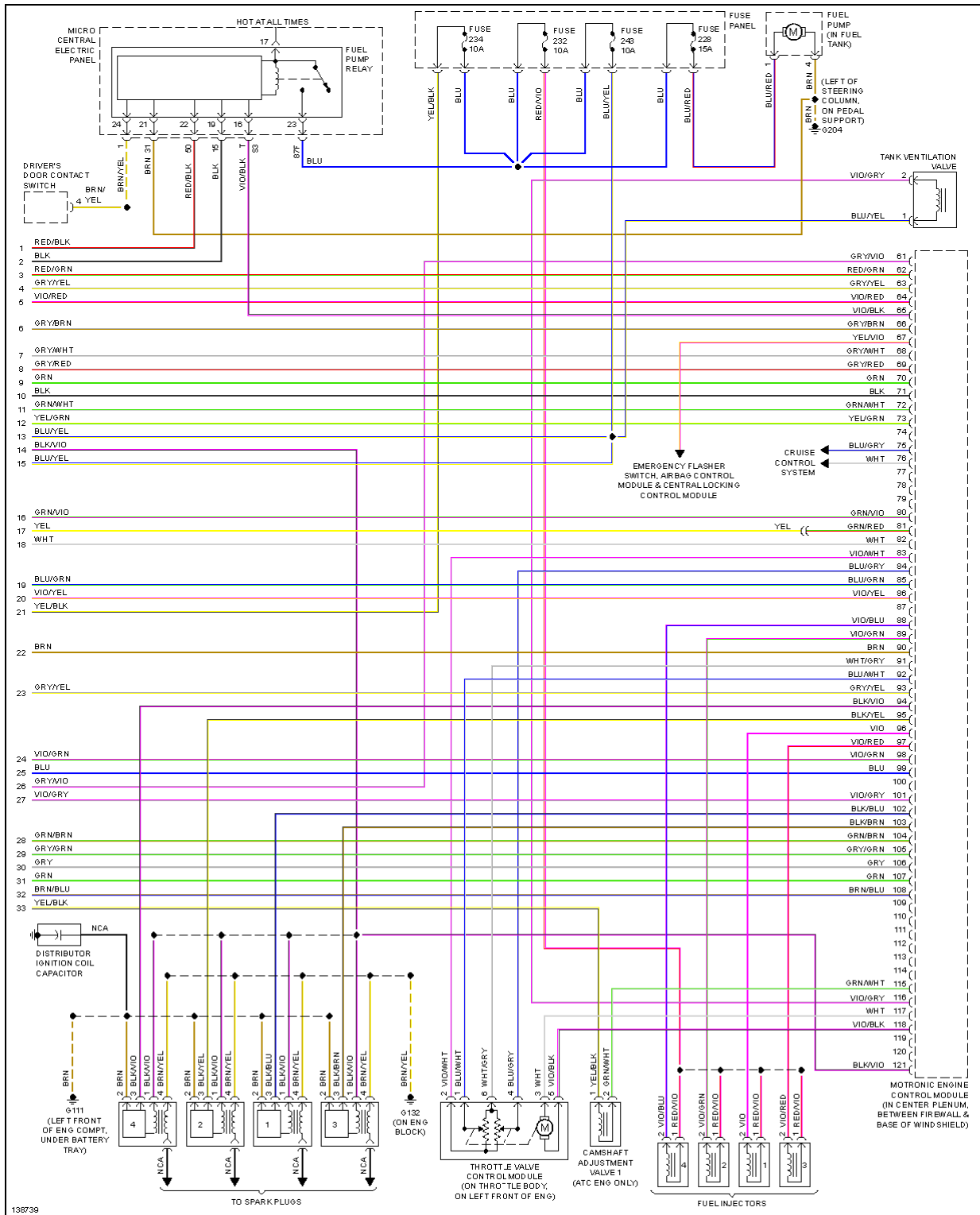
**1.8L**



**Fig. 13: 1.8L, Engine Performance Circuit (1 of 3)**

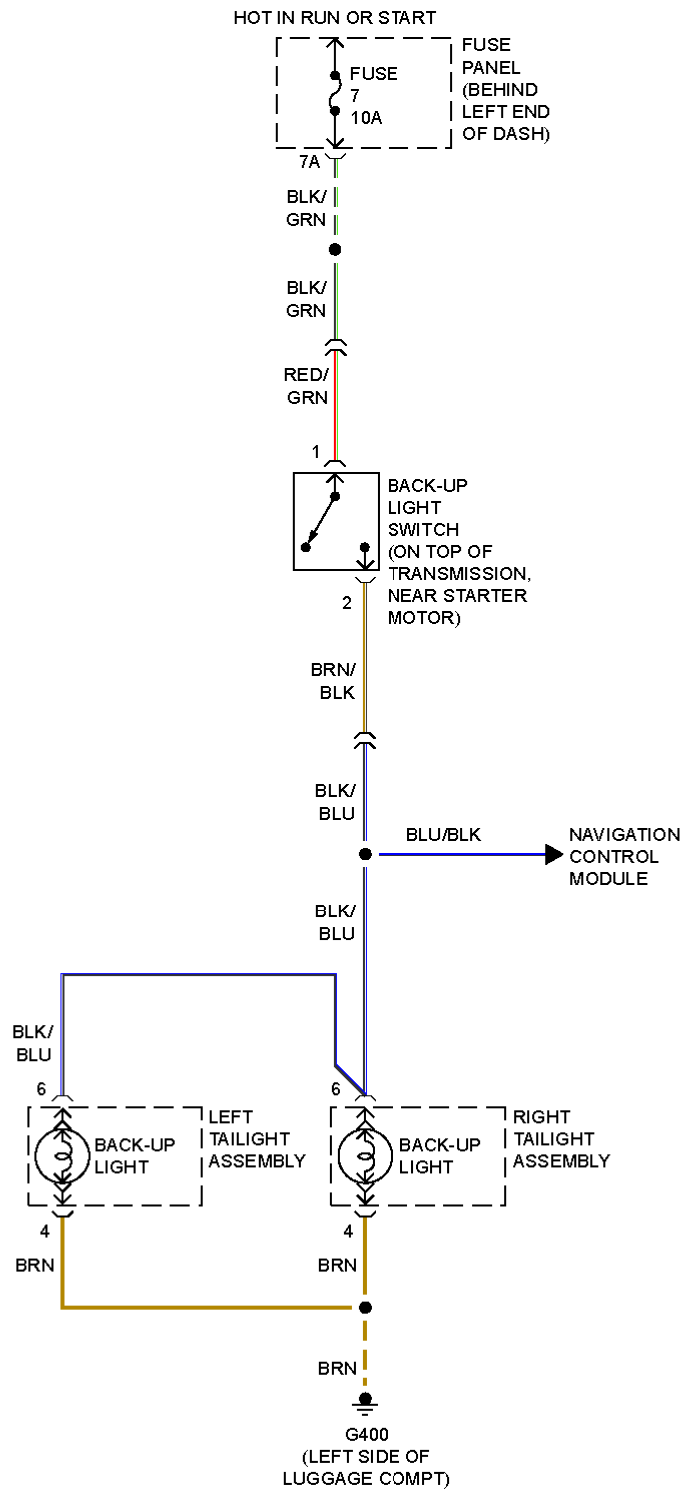


**Fig. 14: 1.8L, Engine Performance Circuit (2 of 3)**



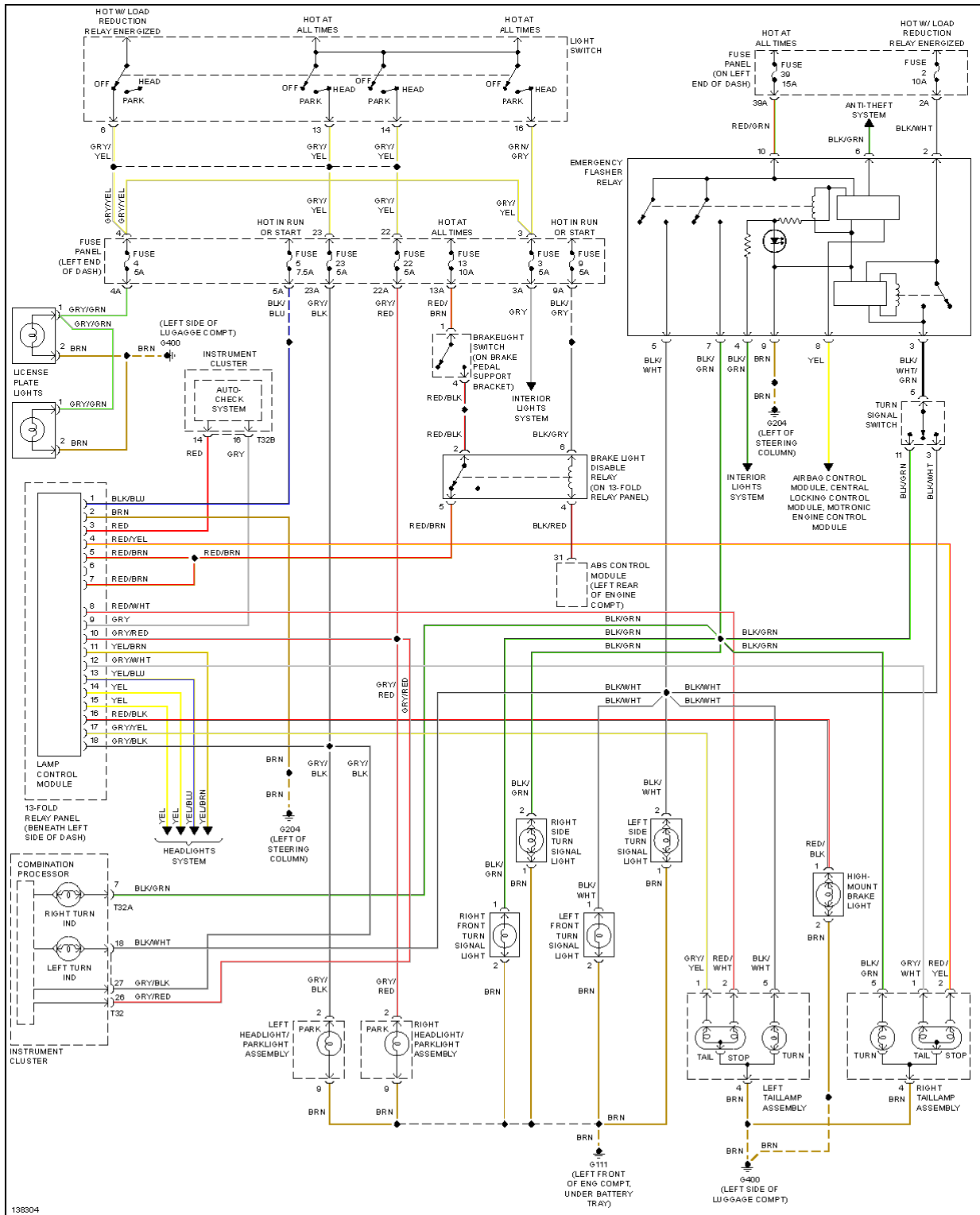
**Fig. 15: 1.8L, Engine Performance Circuit (3 of 3)**

**EXTERIOR LIGHTS**

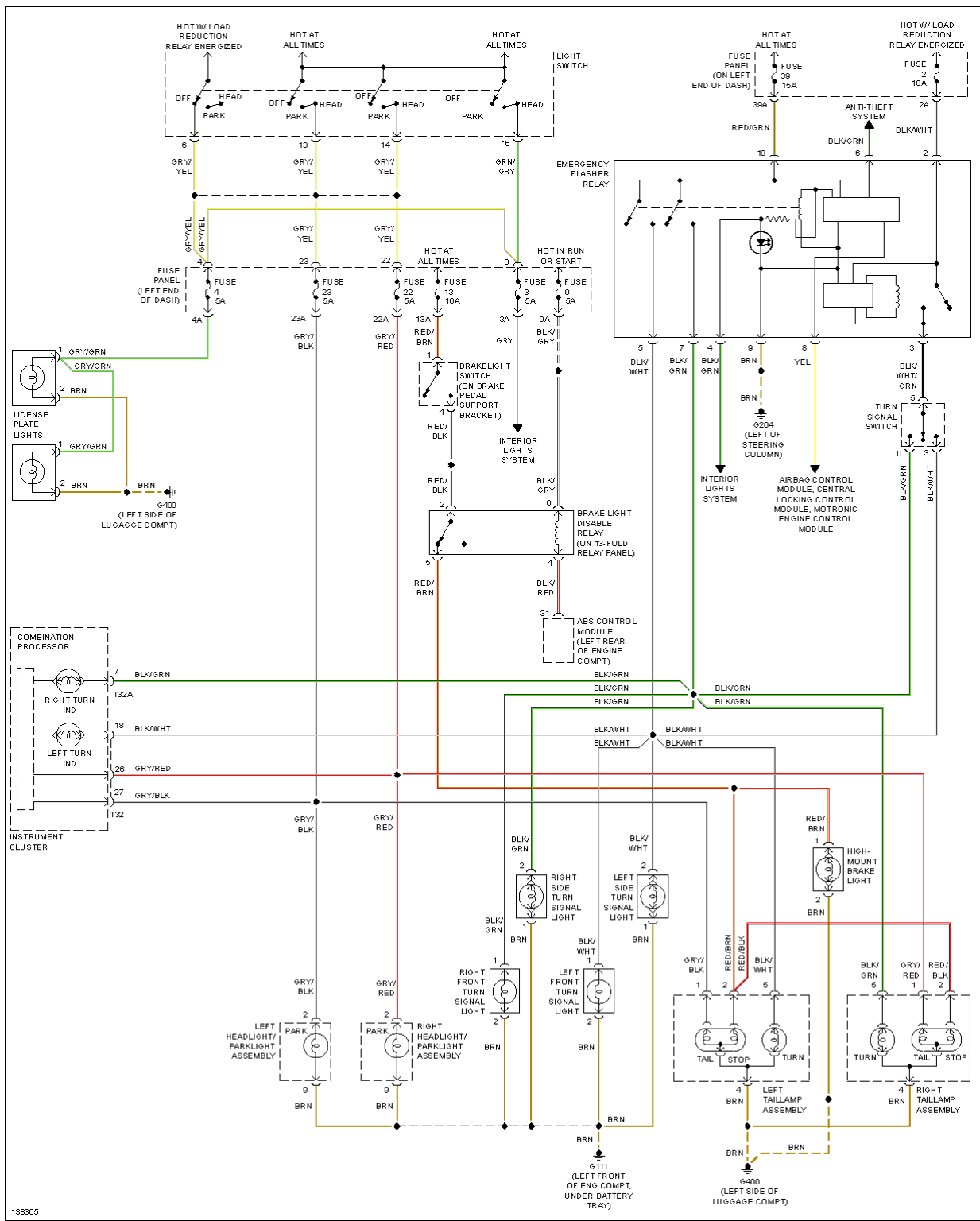




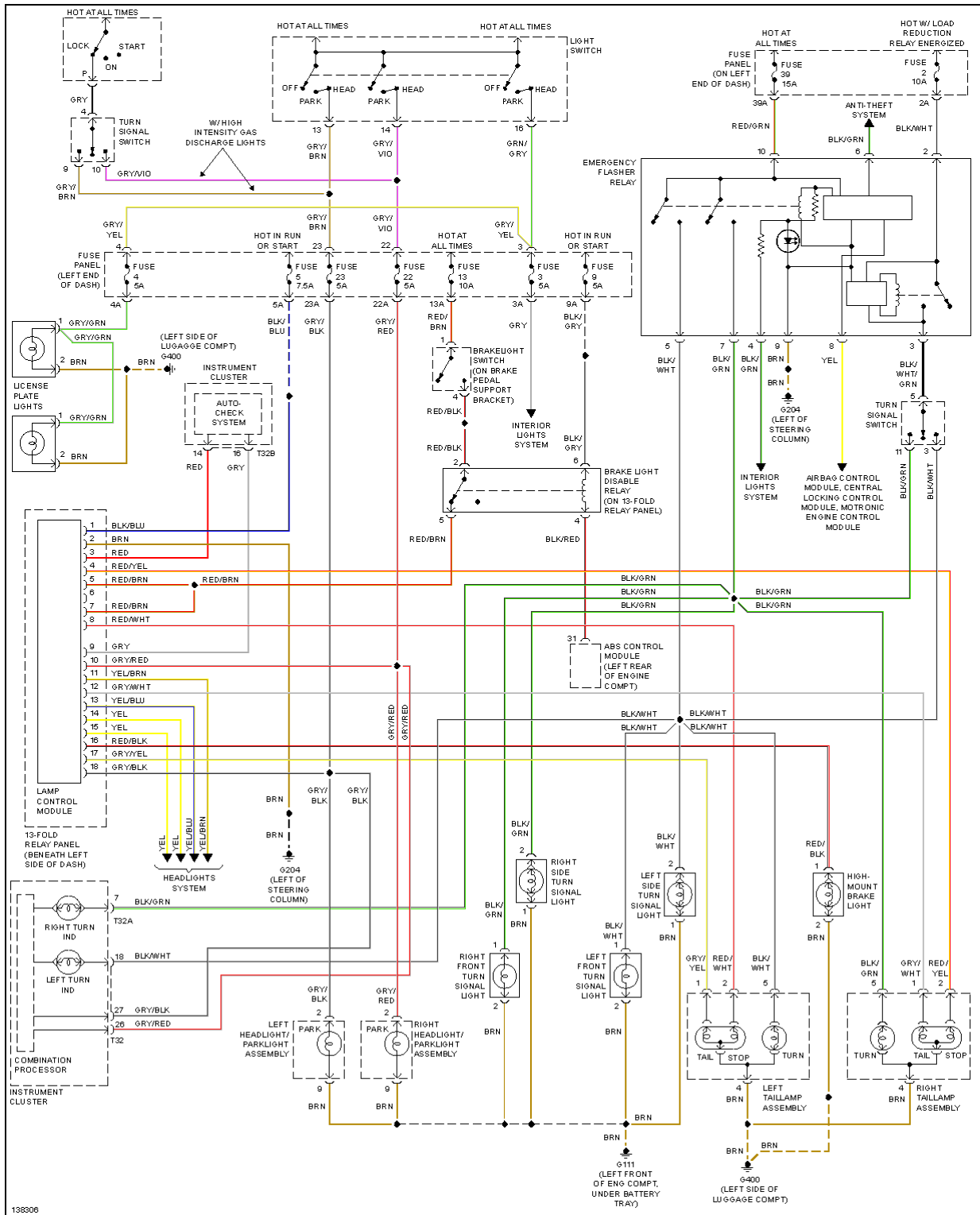
**Fig. 16: Back-up Lamps Circuit**



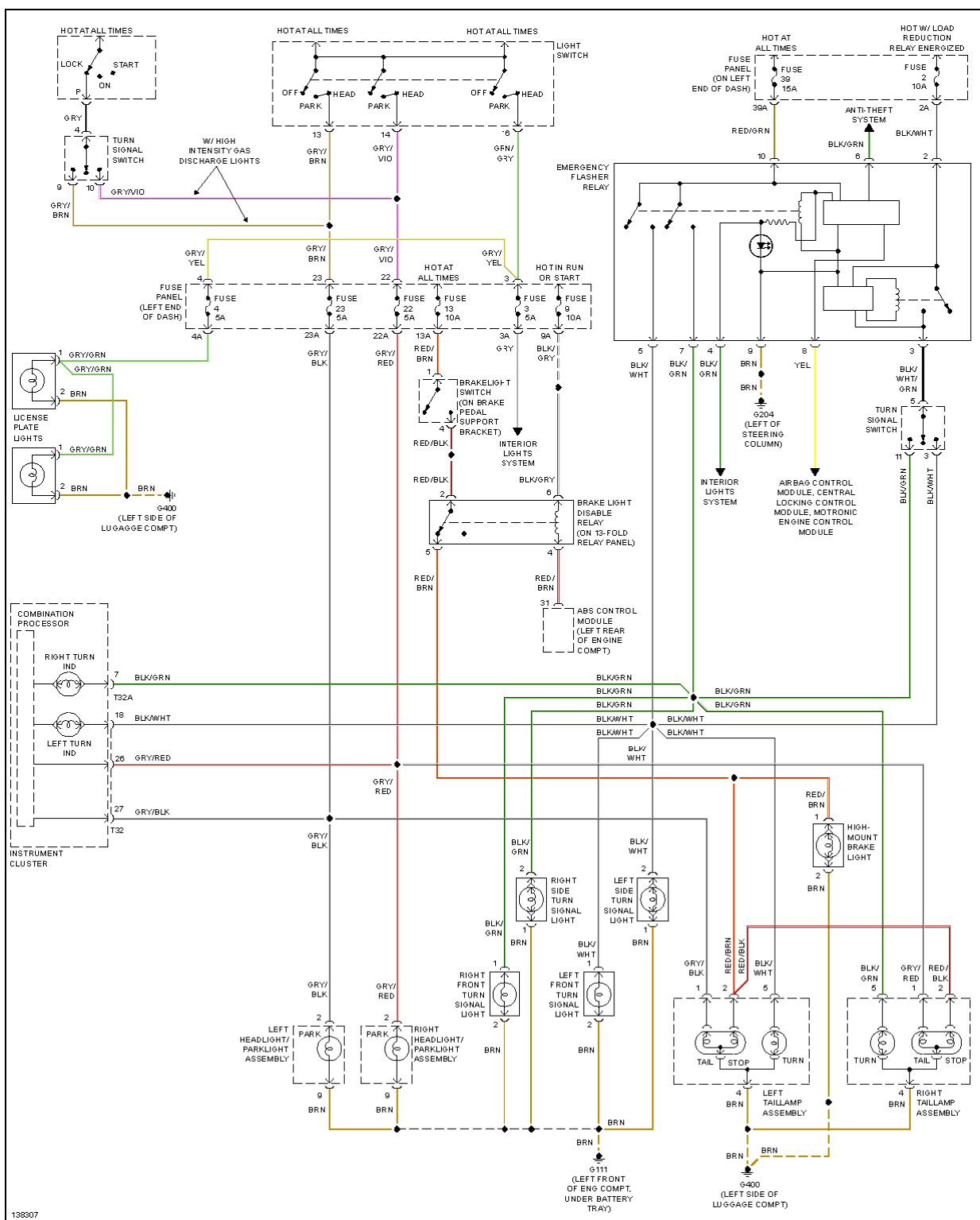
**Fig. 17: Exterior Lamps Circuit, W/ DRL, W/ Driver Information Center**



**Fig. 18: Exterior Lamps Circuit, W/ DRL, W/O Driver Information Center**



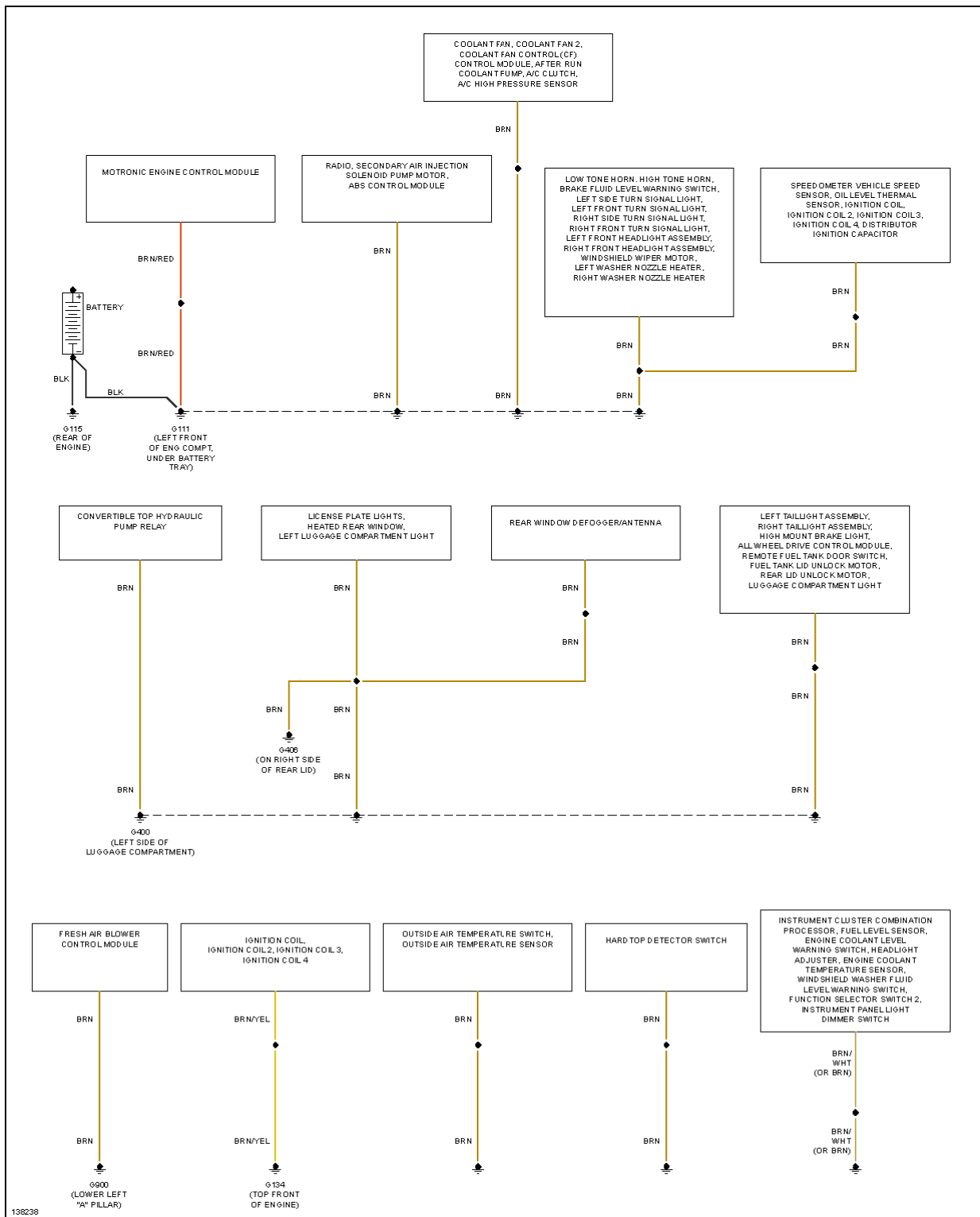
**Fig. 19: Exterior Lamps Circuit, W/O DRL, W/ Driver Information Center**



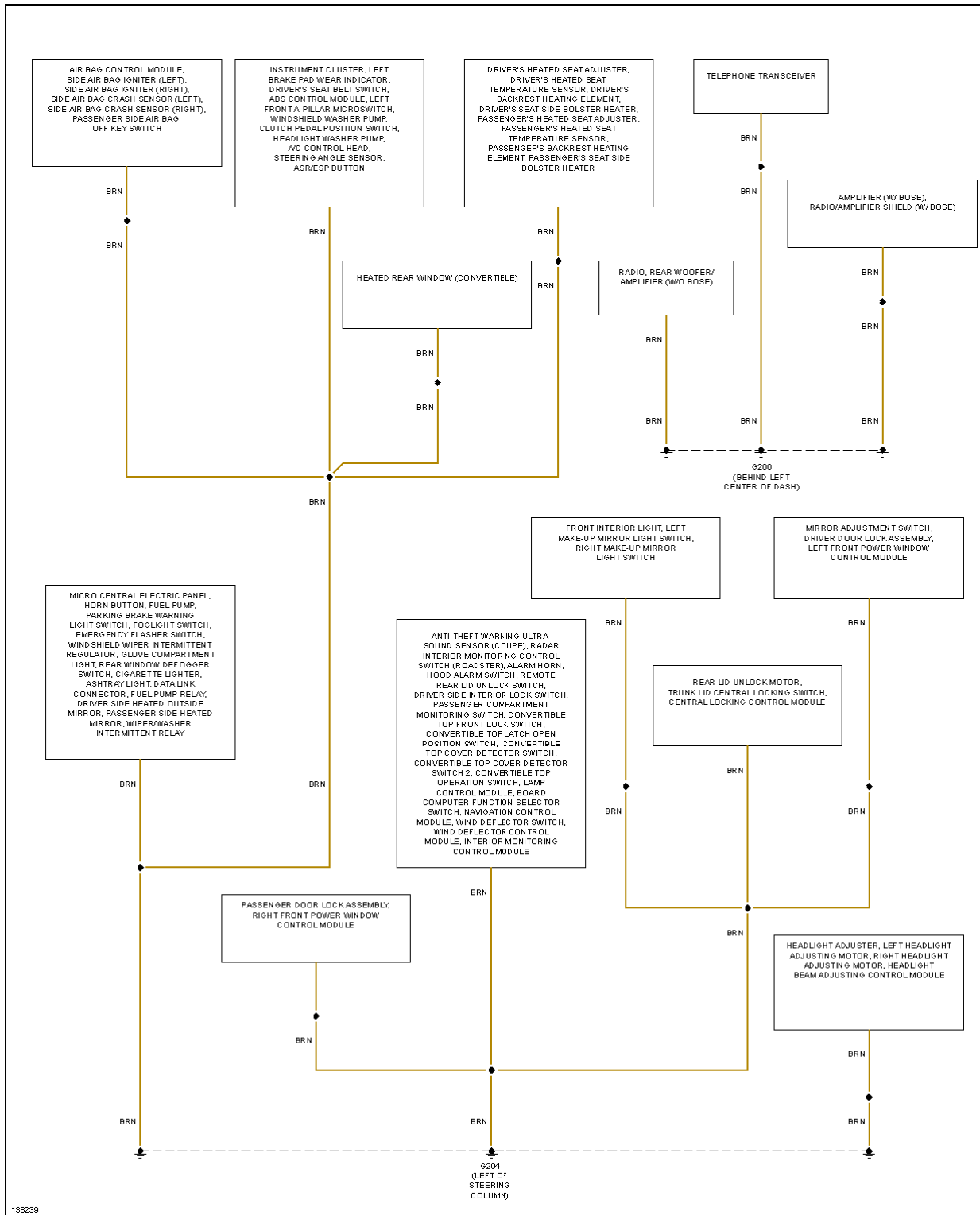


**Fig. 20: Exterior Lamps Circuit, W/O DRL, W/O Driver Information Center**

**GROUND DISTRIBUTION**

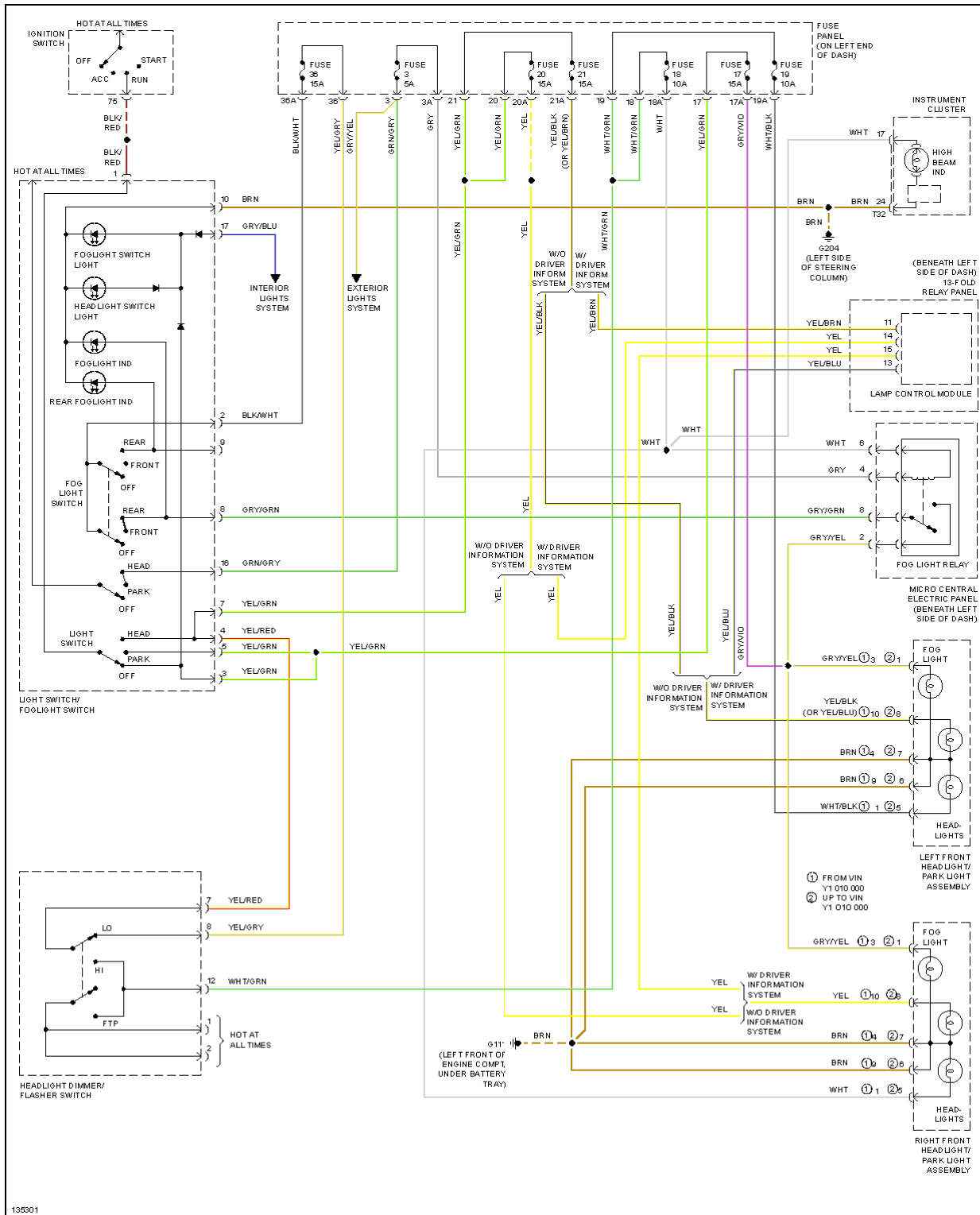


**Fig. 21: Ground Distribution Circuit (1 of 2)**

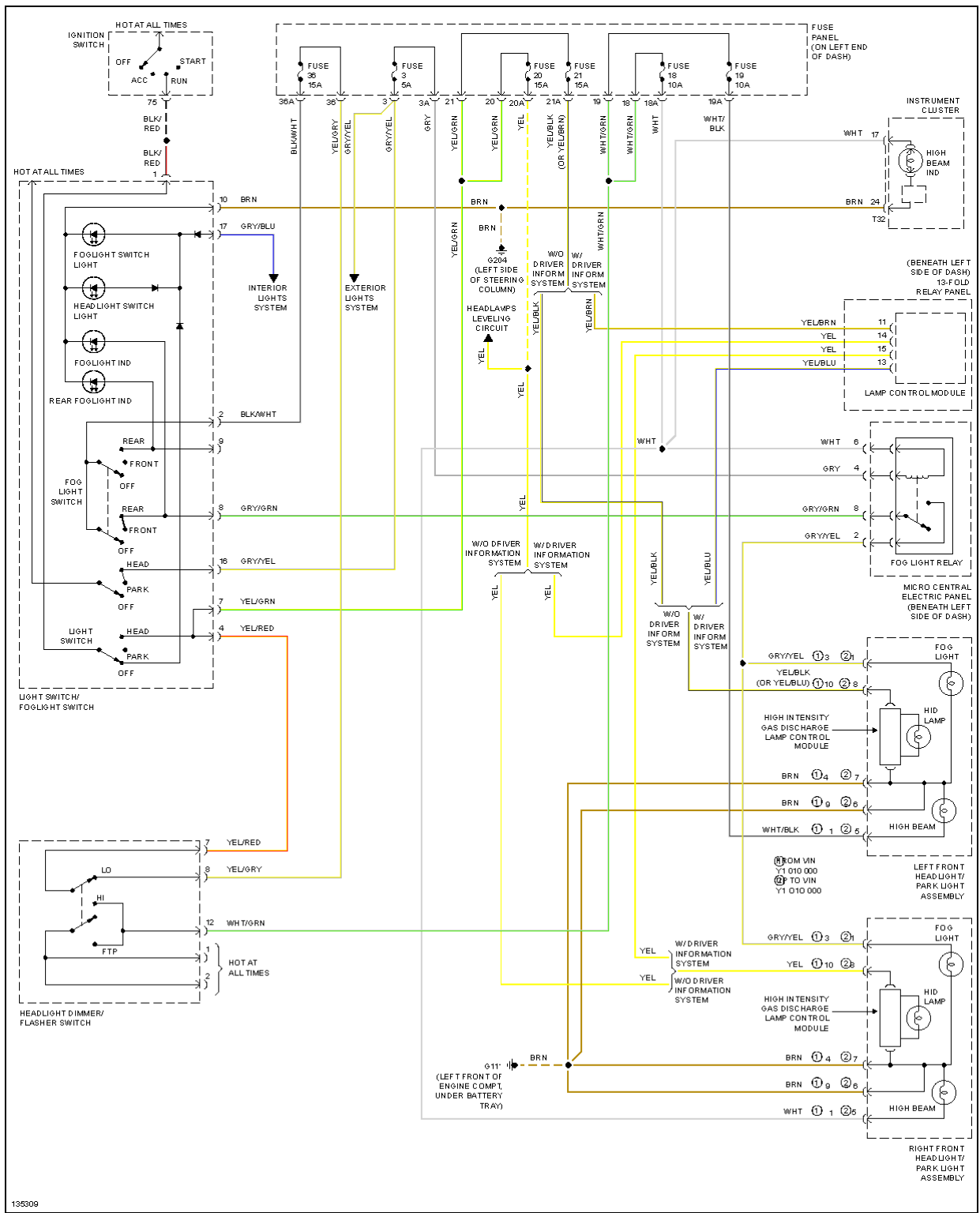


**Fig. 22: Ground Distribution Circuit (2 of 2)**

**HEADLIGHTS**

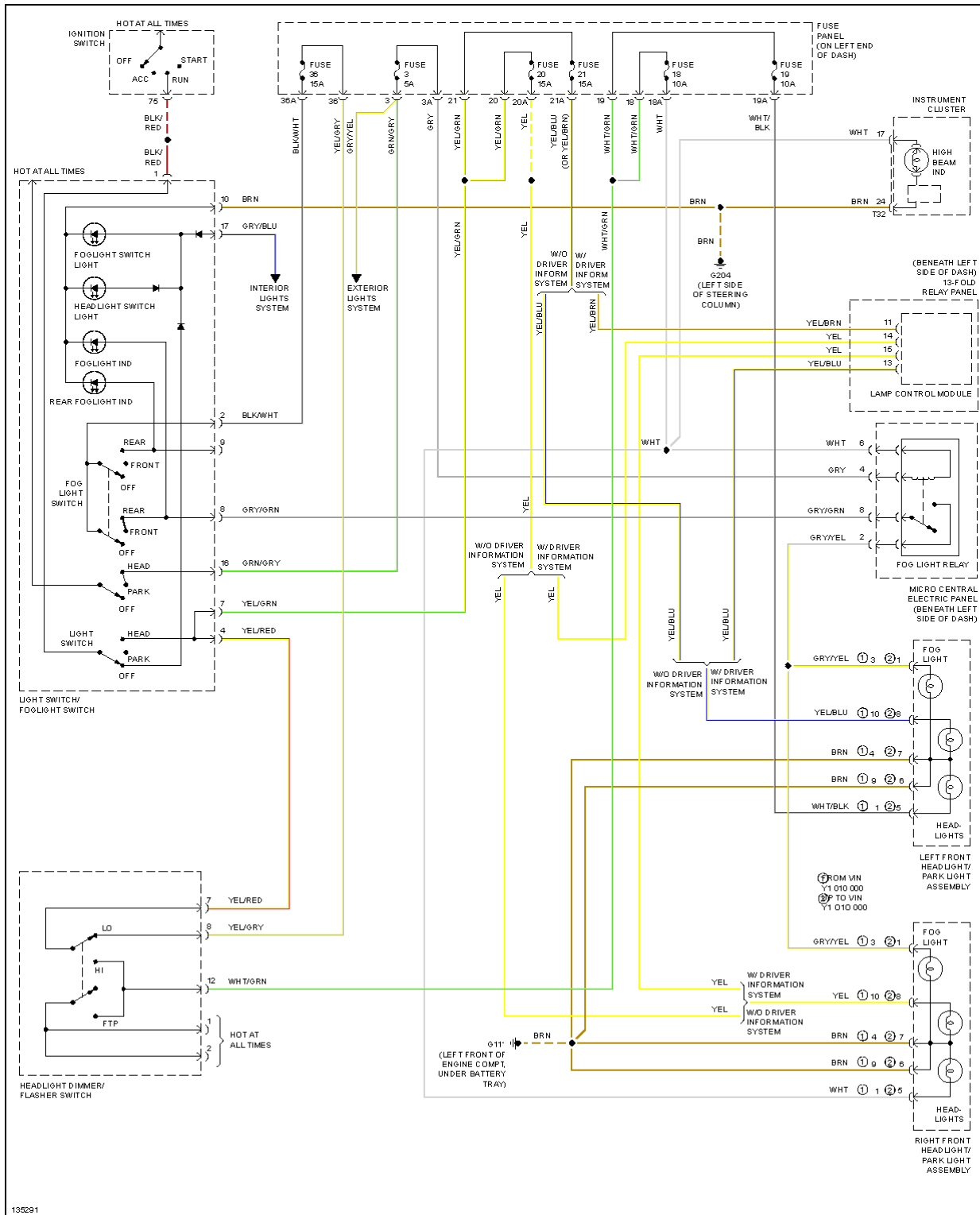


**Fig. 23: Headlamps Circuit, W/ DRL**

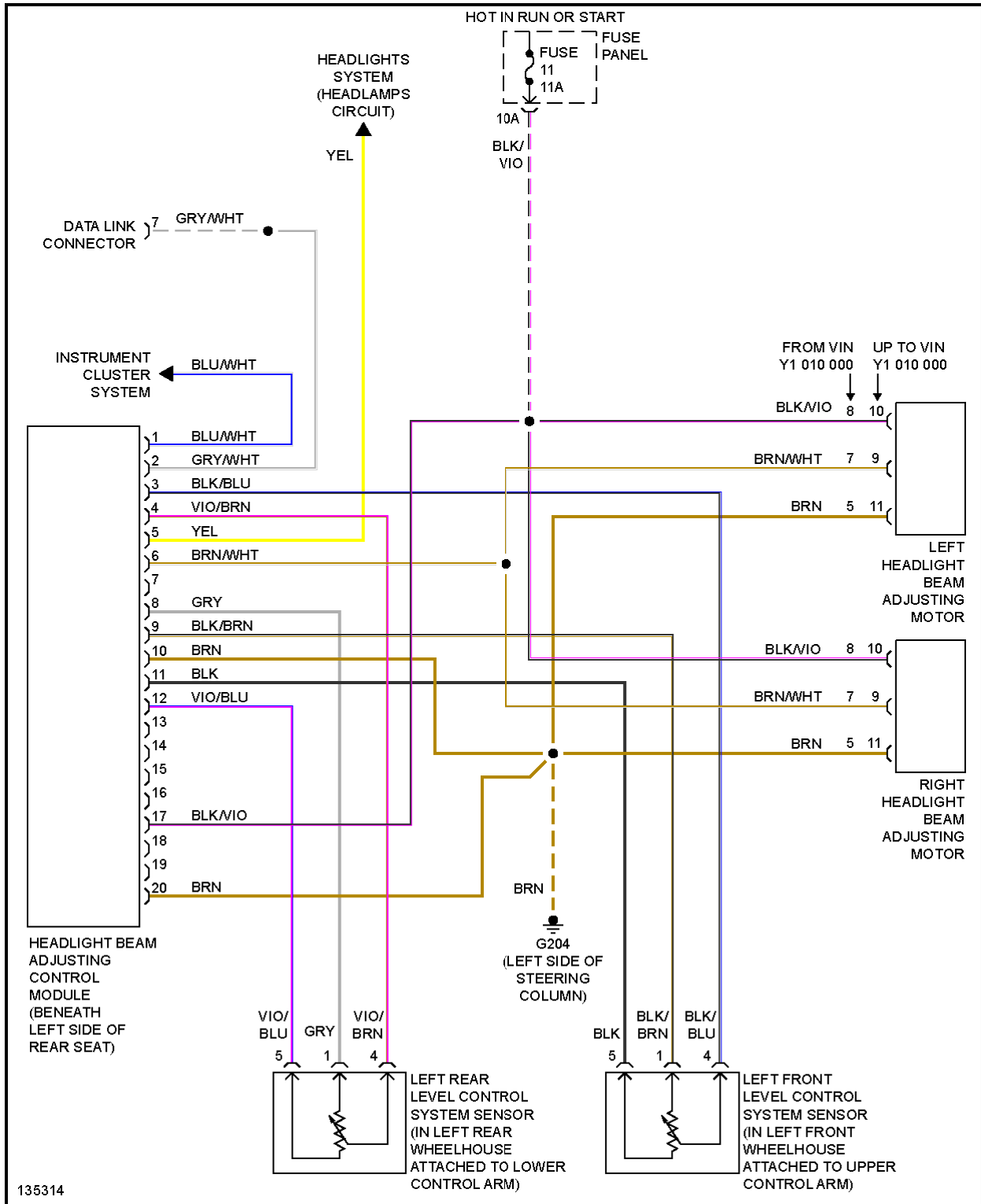




**Fig. 24: Headlamps Circuit, W/ High Intensity Gas Discharge Headlights**

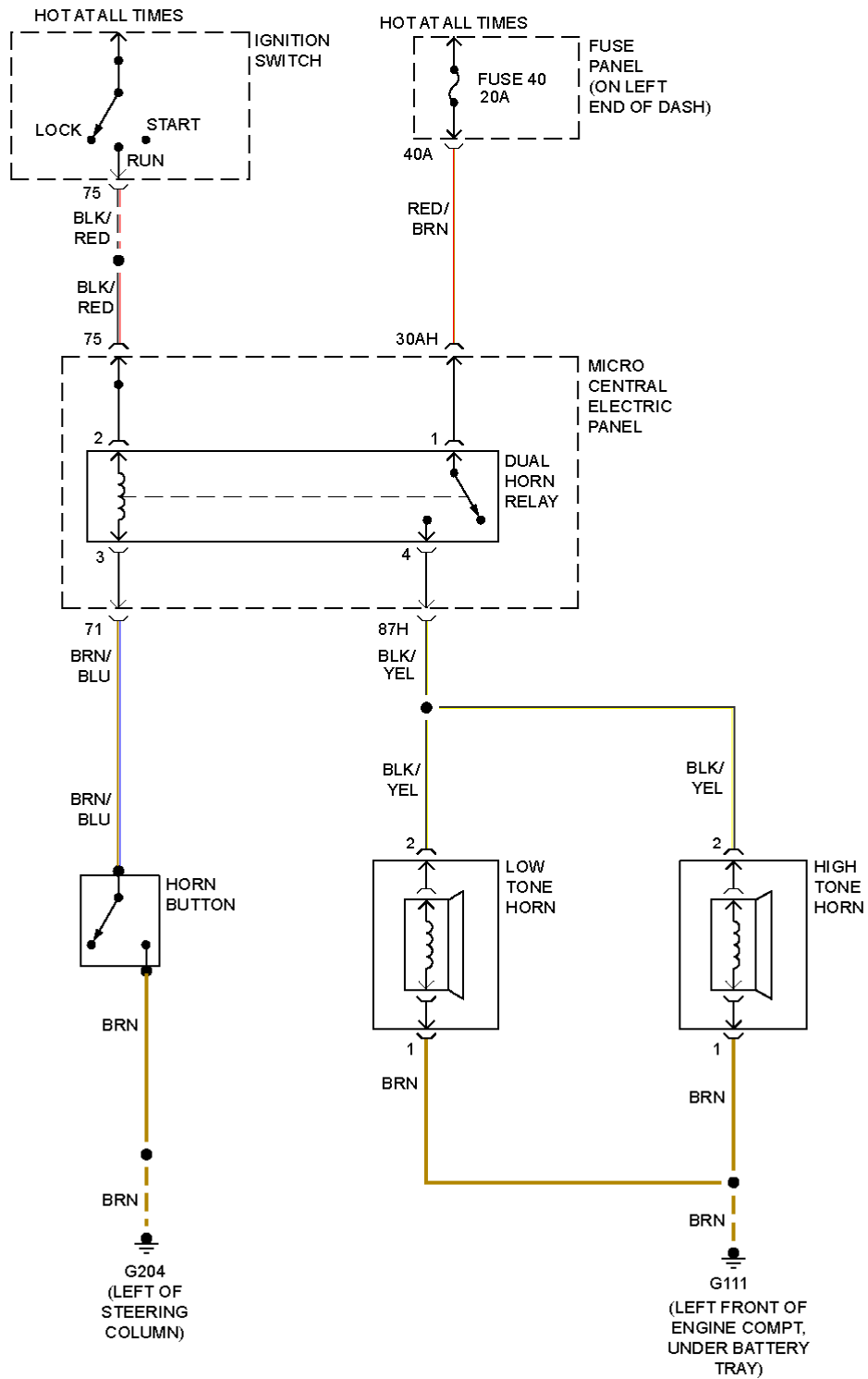


**Fig. 25: Headlamps Circuit, W/O DRL W/O High Intensity Gas Discharge Headlights, W/O DRL, W/O High Intensity Gas Discharge Headlights**



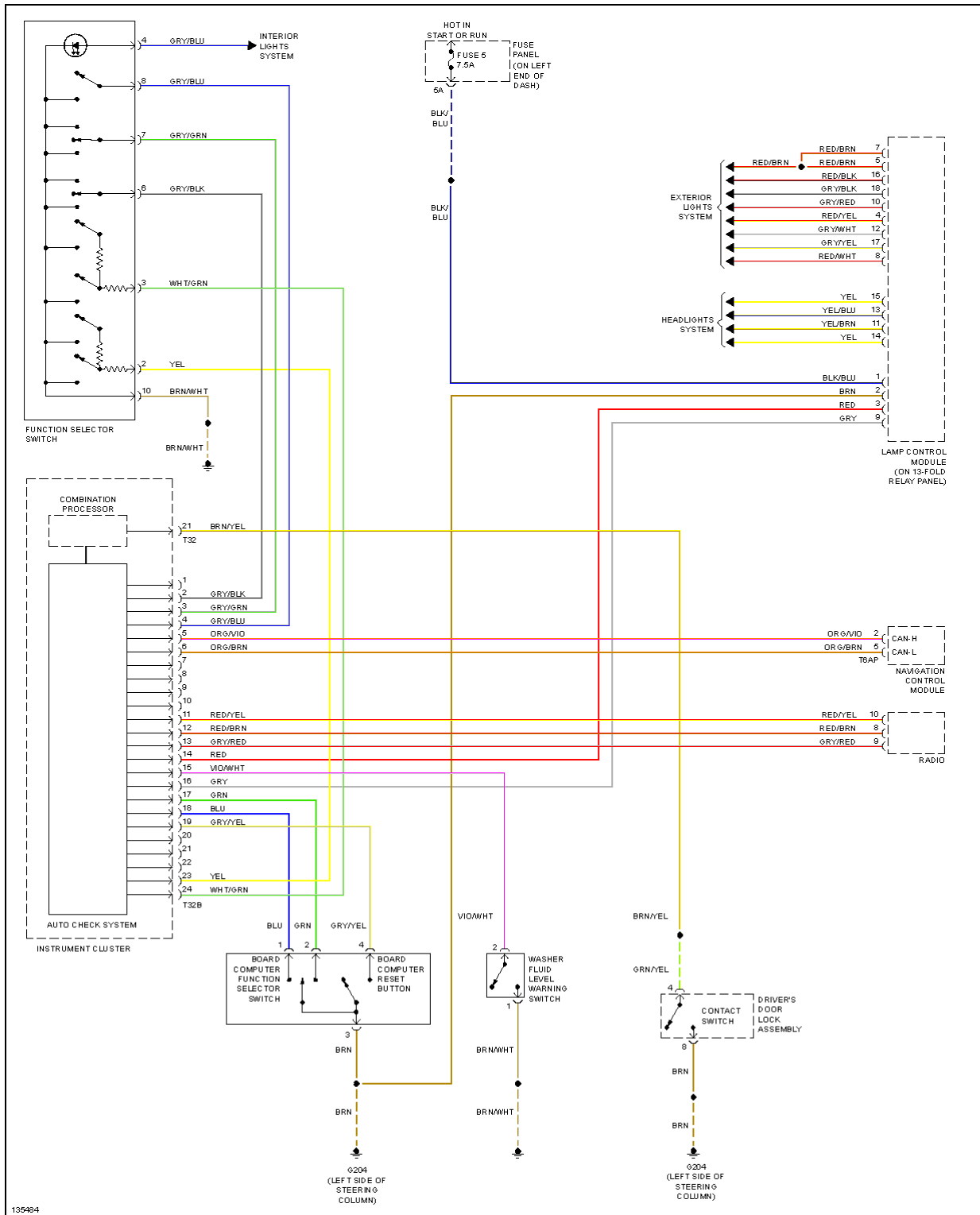
**Fig. 26: Headlamps Leveling Circuit, W/ High Intensity Gas Discharge Headlights**

**HORN**



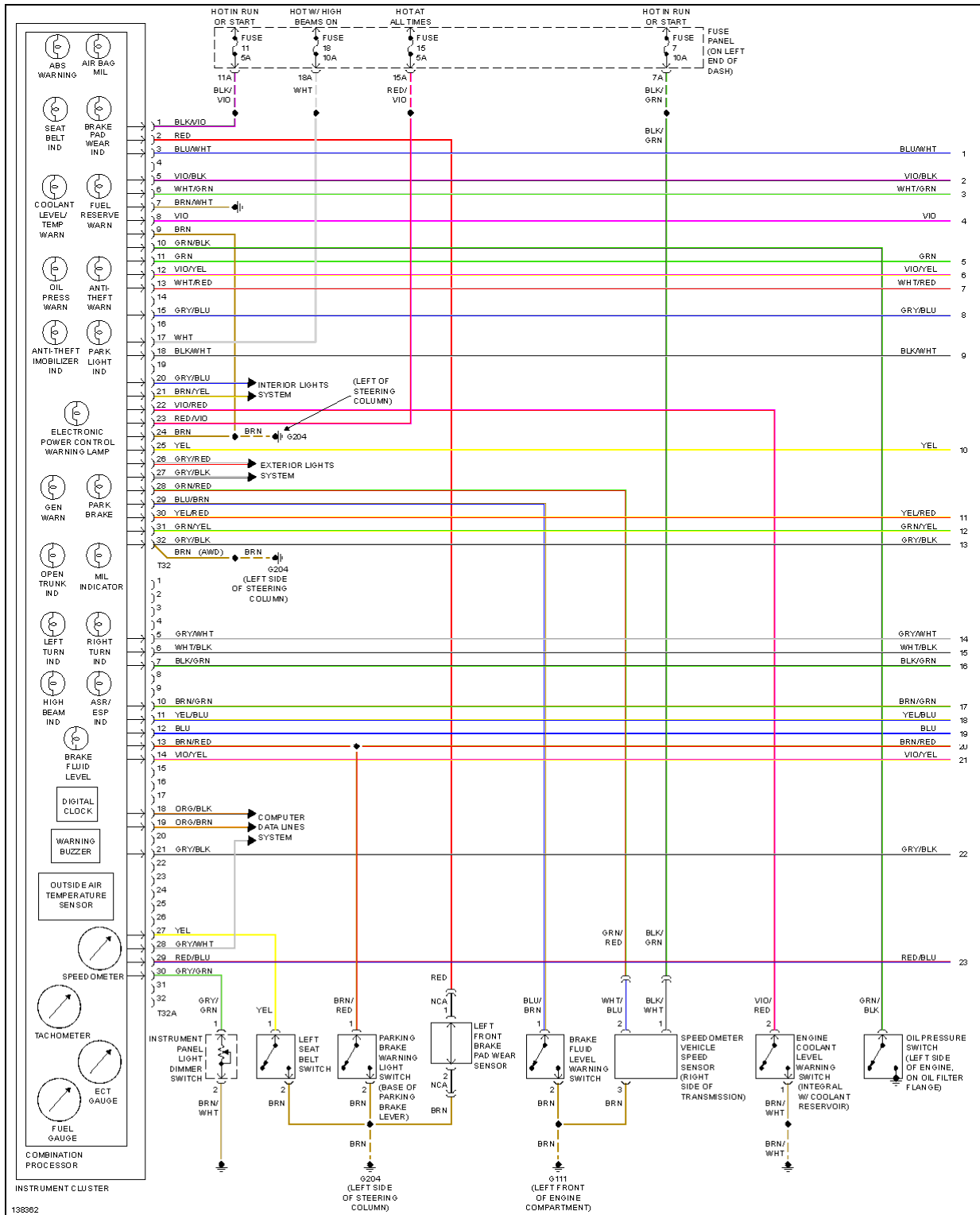
**Fig. 27: Horn Circuit**

**INSTRUMENT CLUSTER**

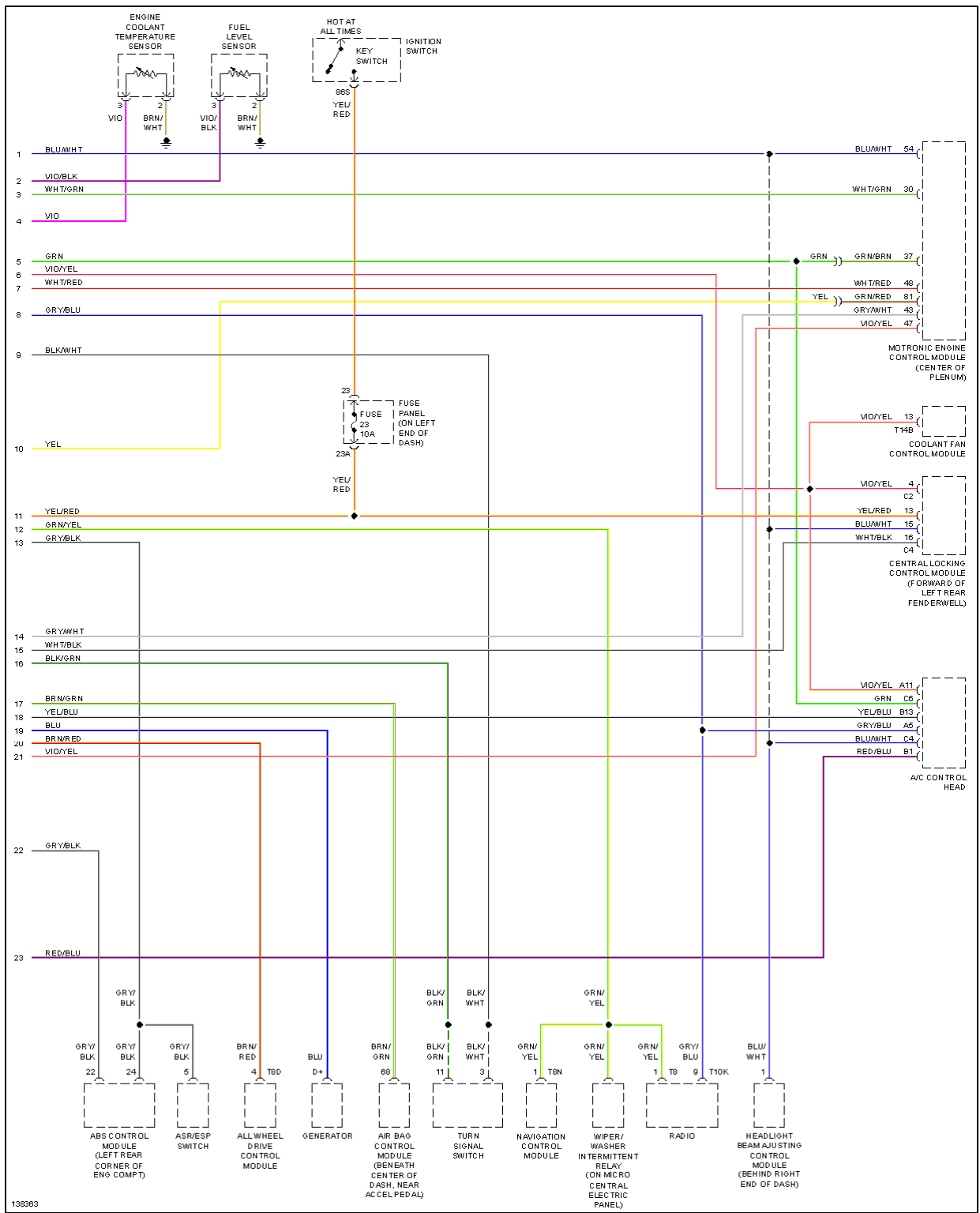




**Fig. 28: Auto Check System Circuit**

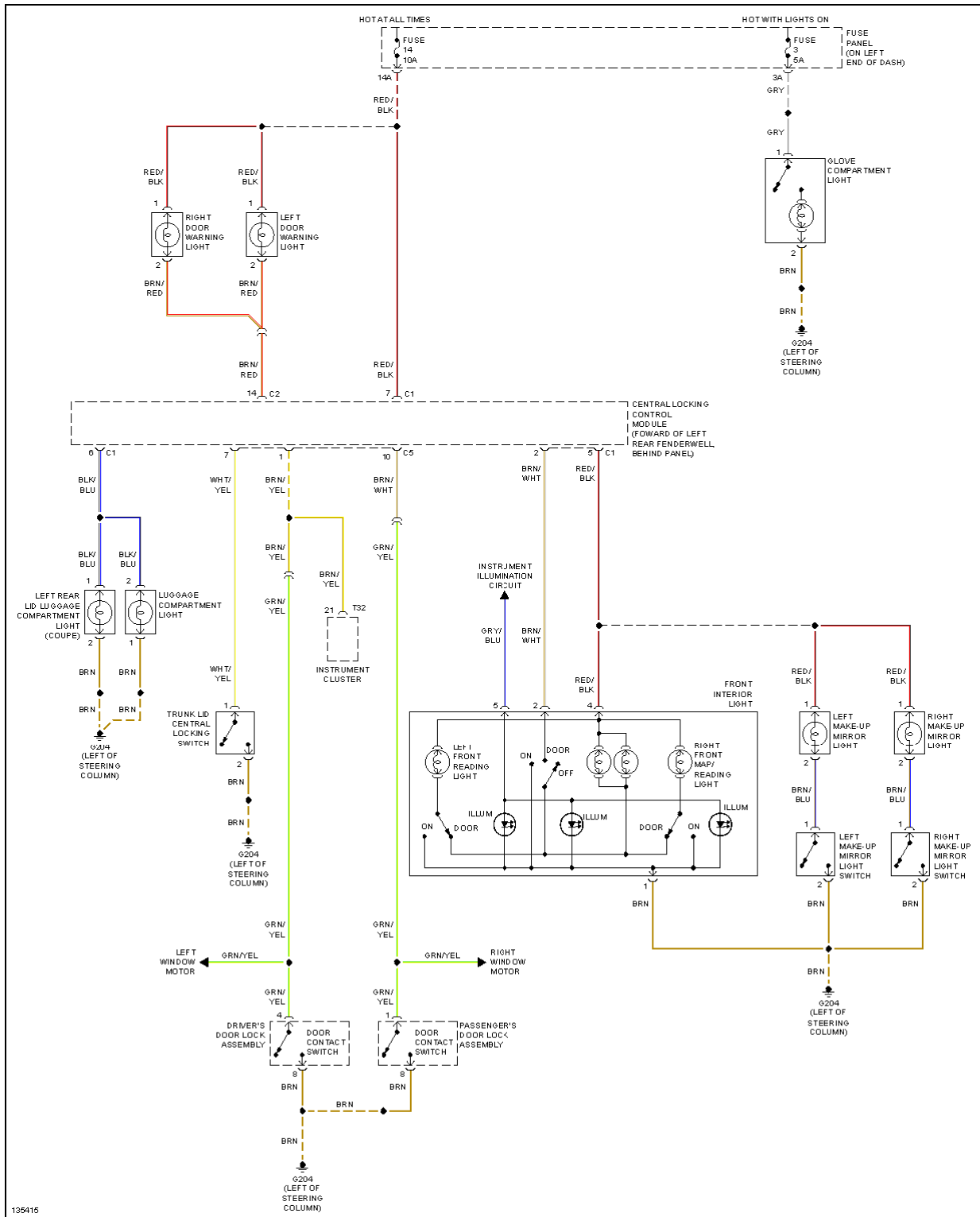


**Fig. 29: Instrument Cluster Circuit (1 of 2)**

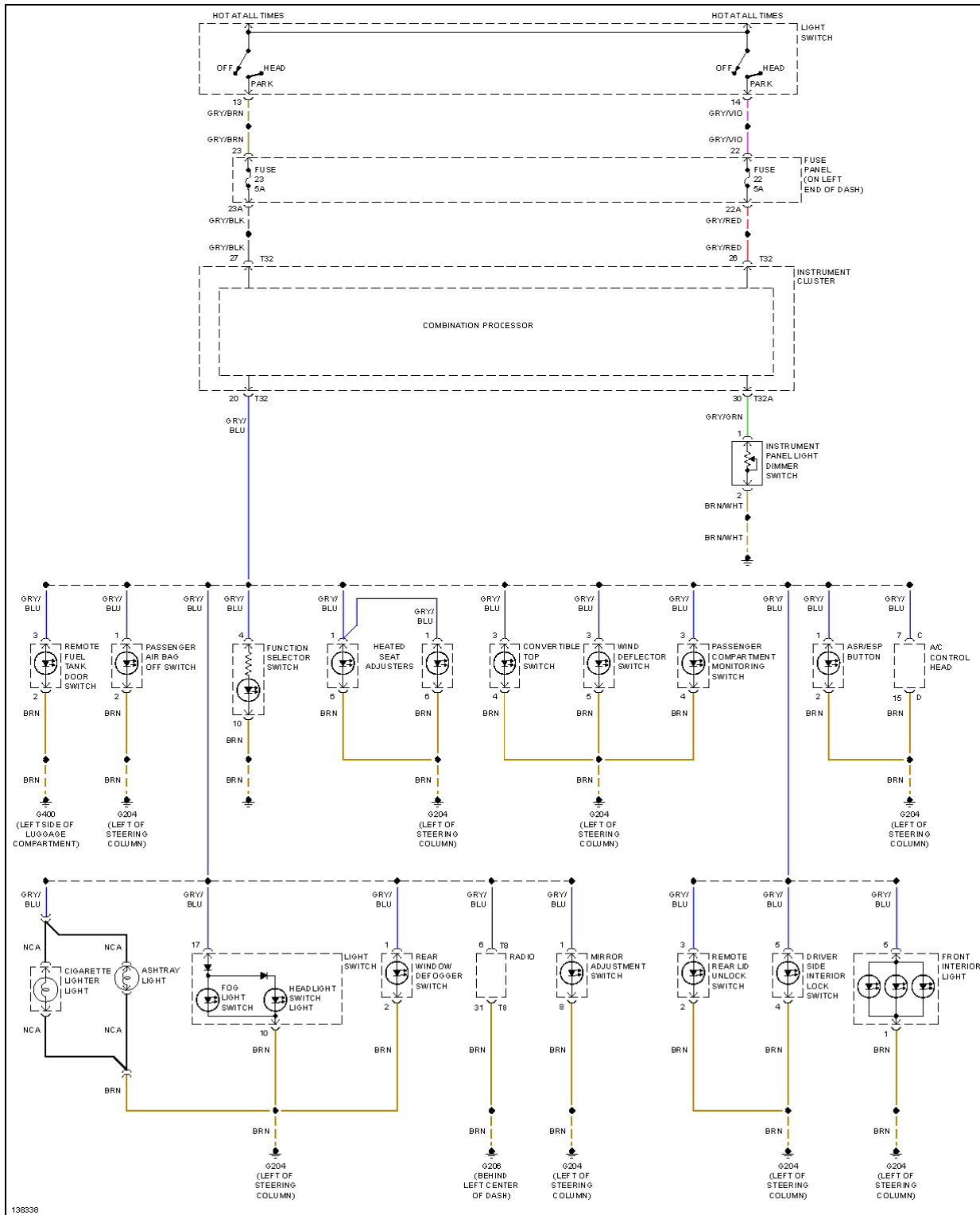


**Fig. 30: Instrument Cluster Circuit (2 of 2)**

**INTERIOR LIGHTS**



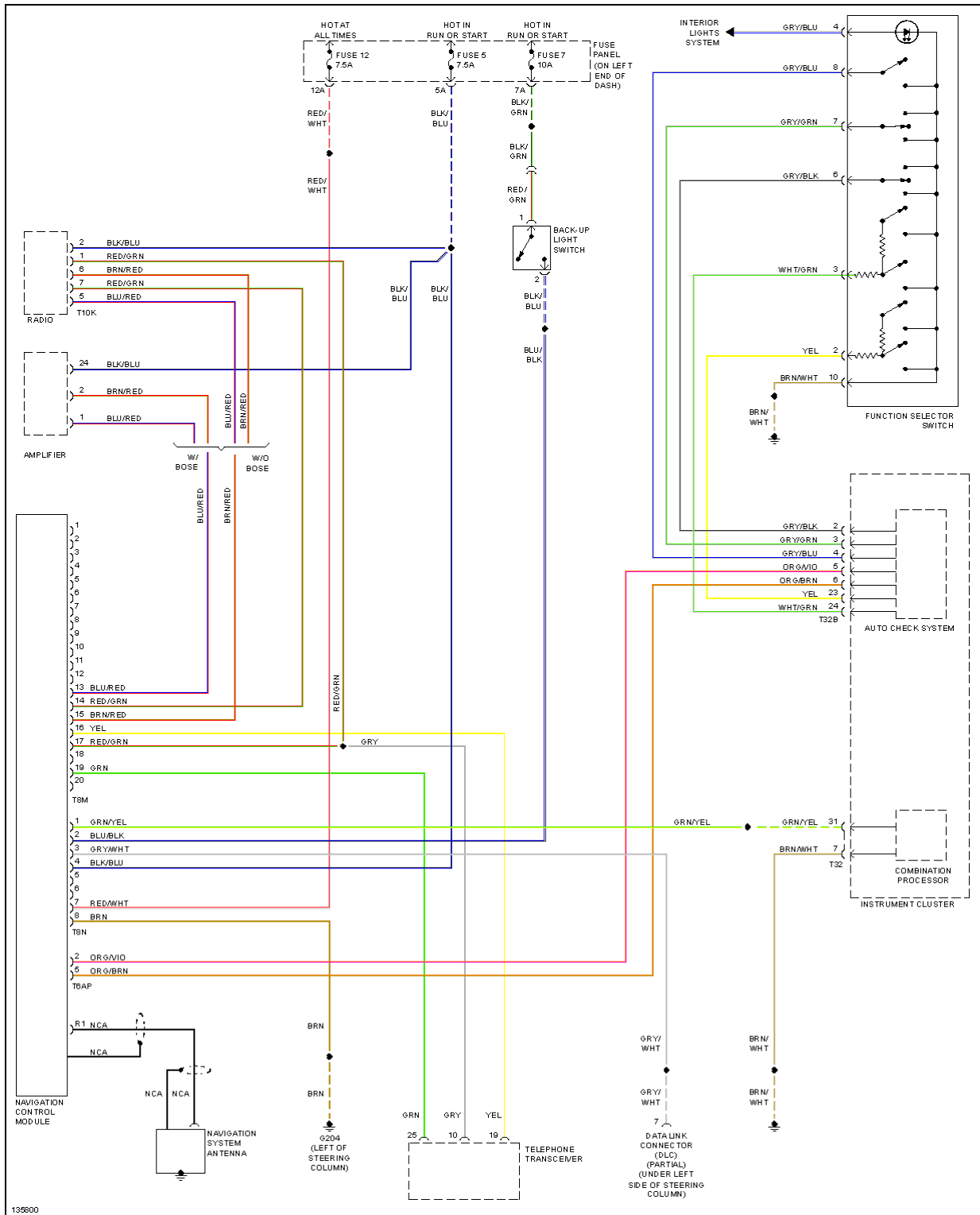
**Fig. 31: Courtesy Lamps Circuit**





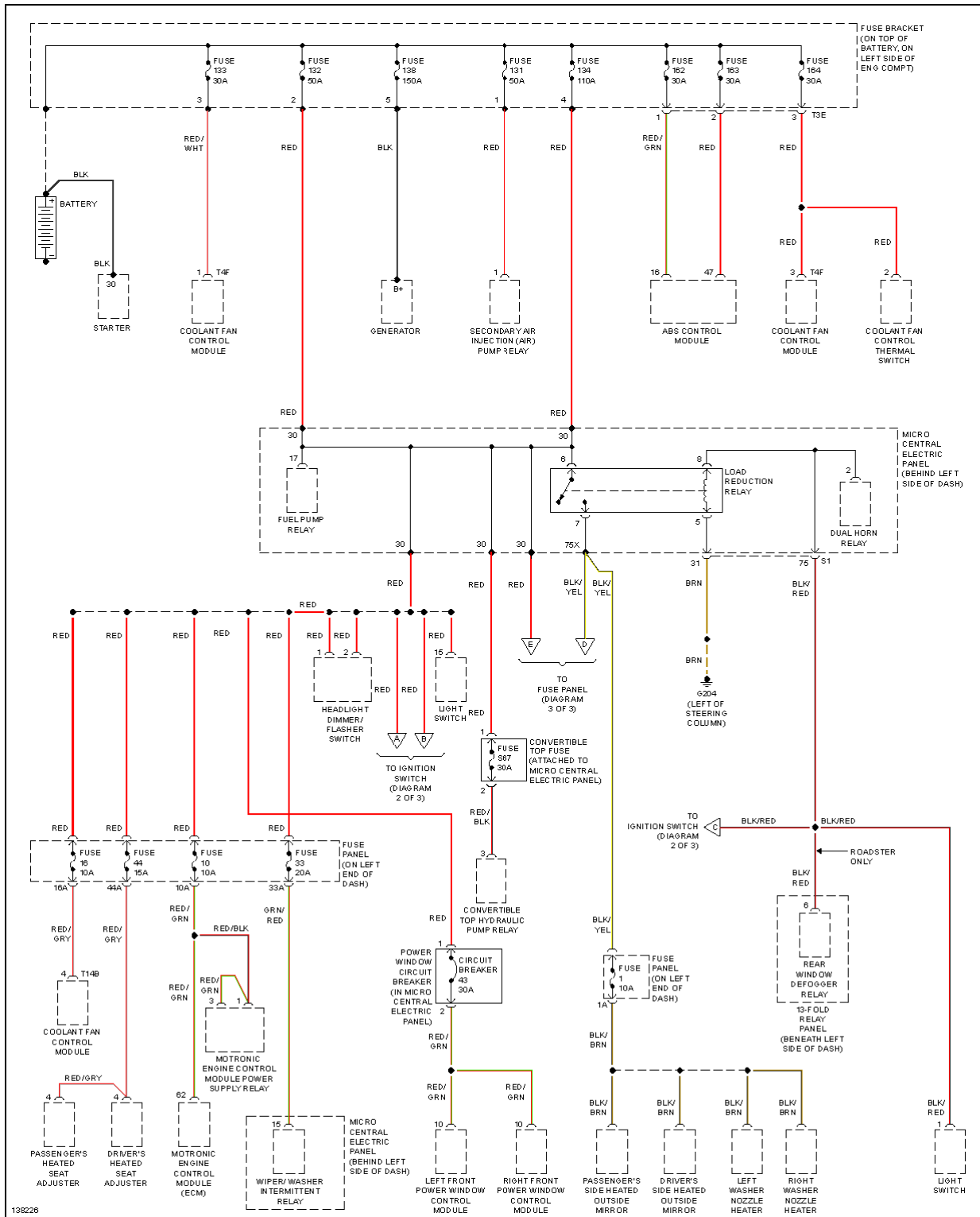
**Fig. 32: Instrument Illumination Circuit**

**NAVIGATION**

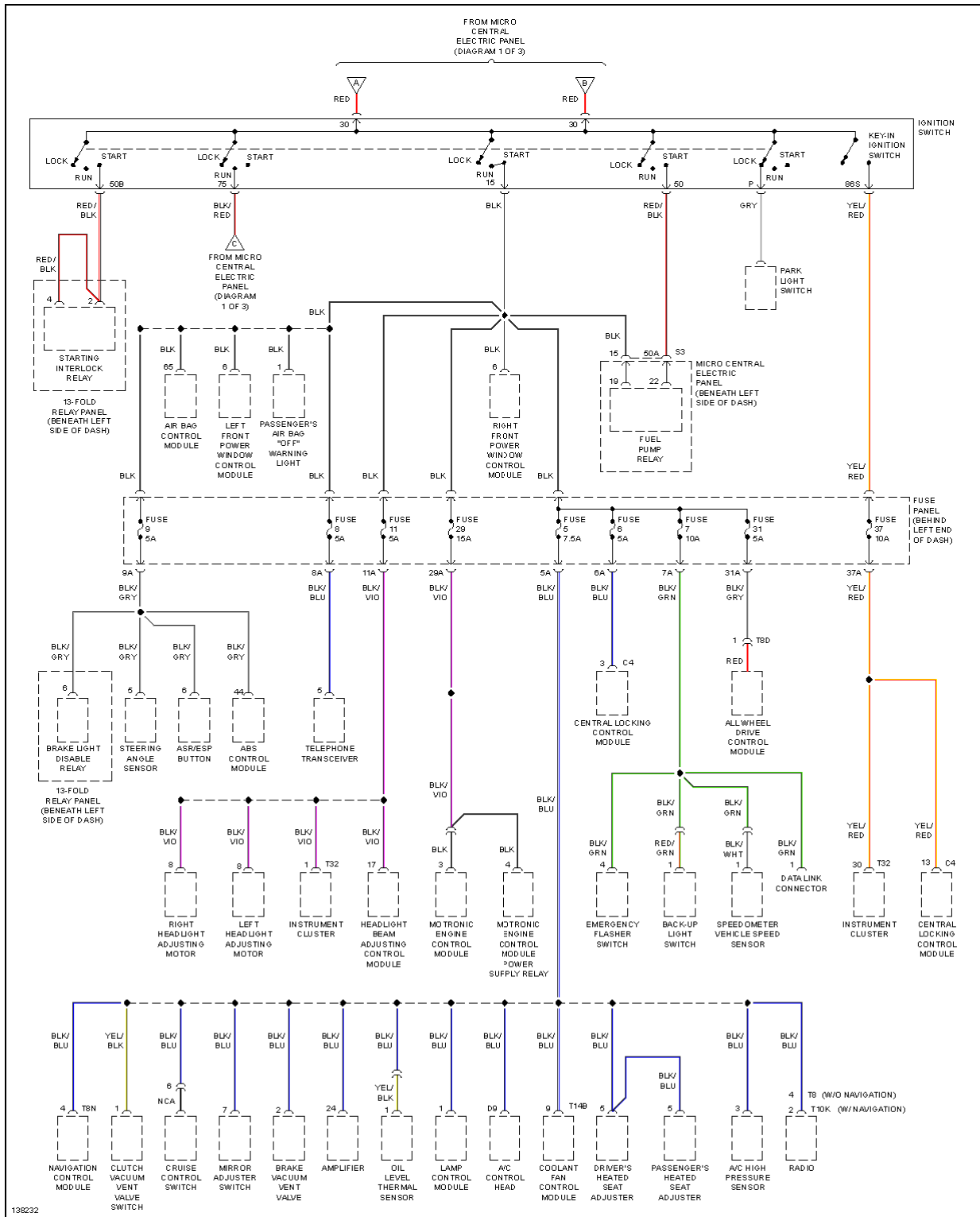


**Fig. 33: Navigation Circuit**

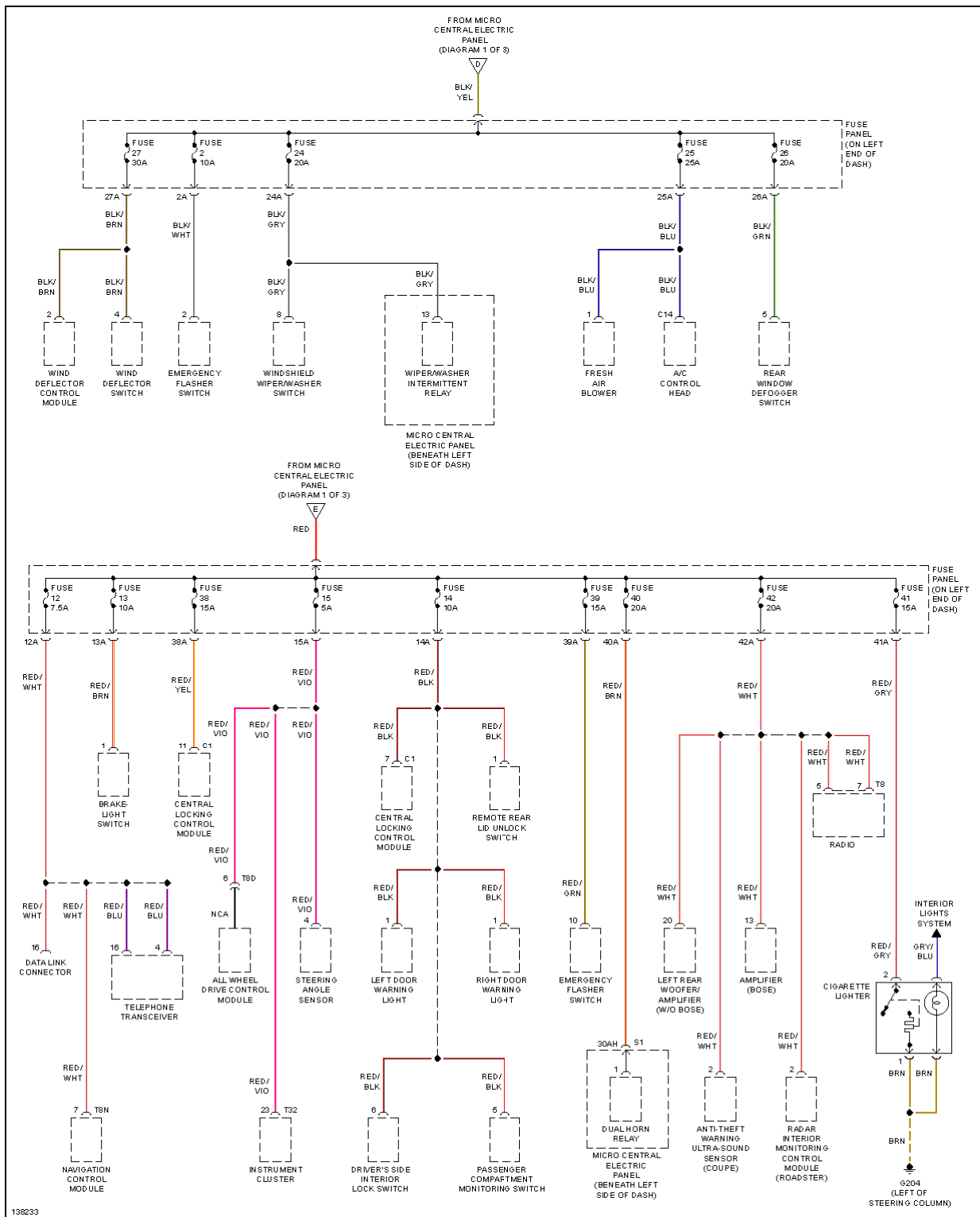
**POWER DISTRIBUTION**



**Fig. 34: Power Distribution Circuit (1 of 3)**



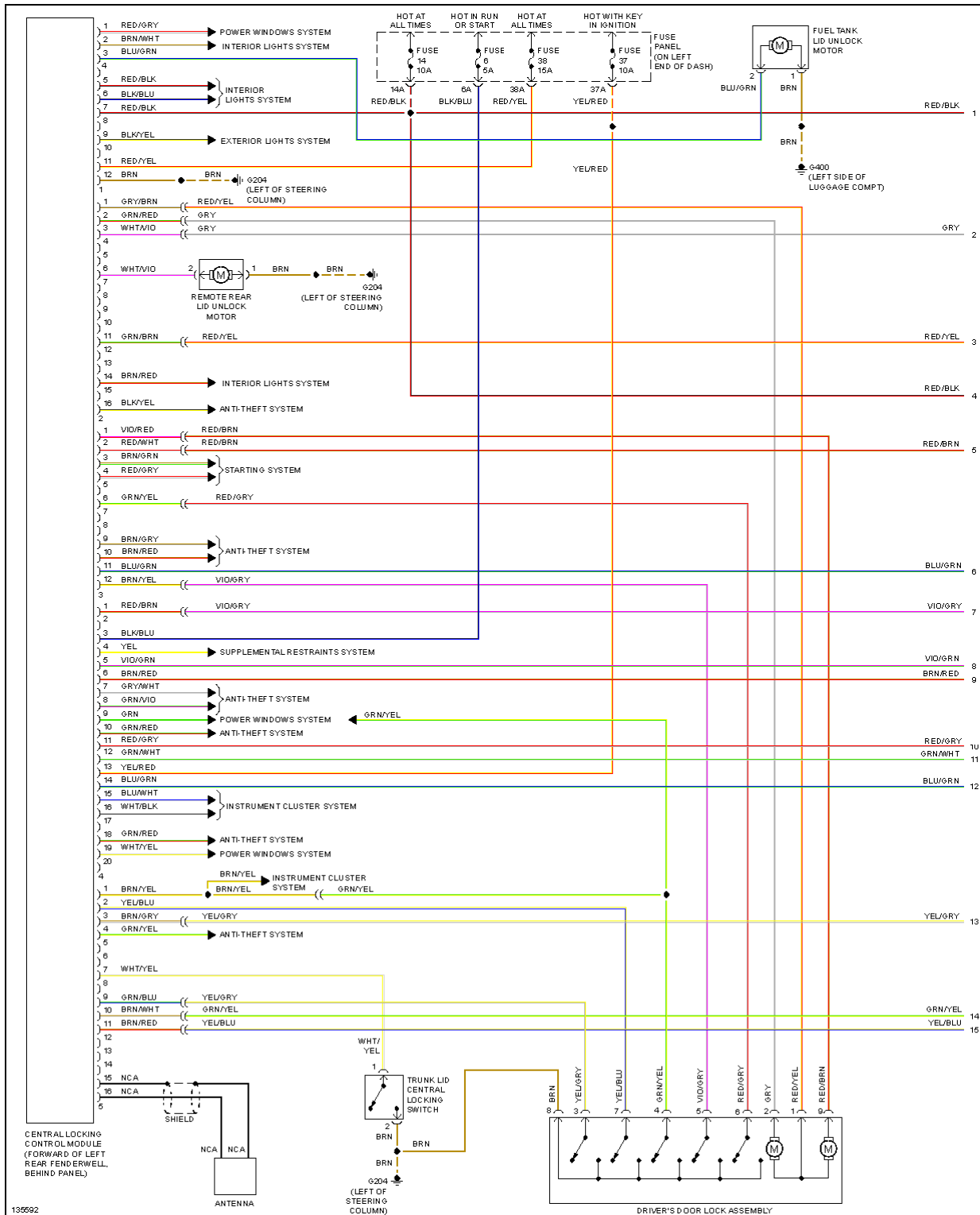
**Fig. 35: Power Distribution Circuit (2 of 3)**



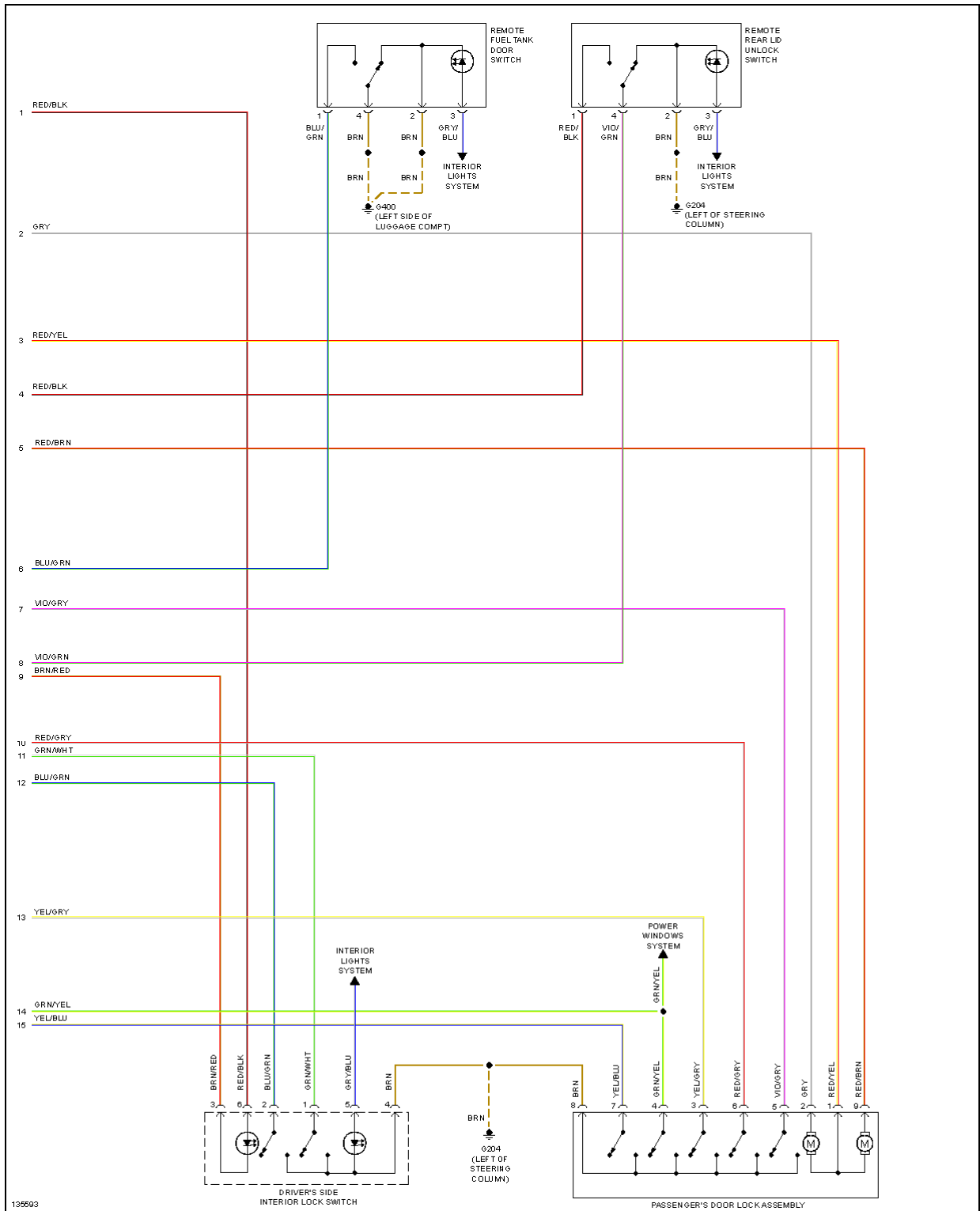


**Fig. 36: Power Distribution Circuit (3 of 3)**

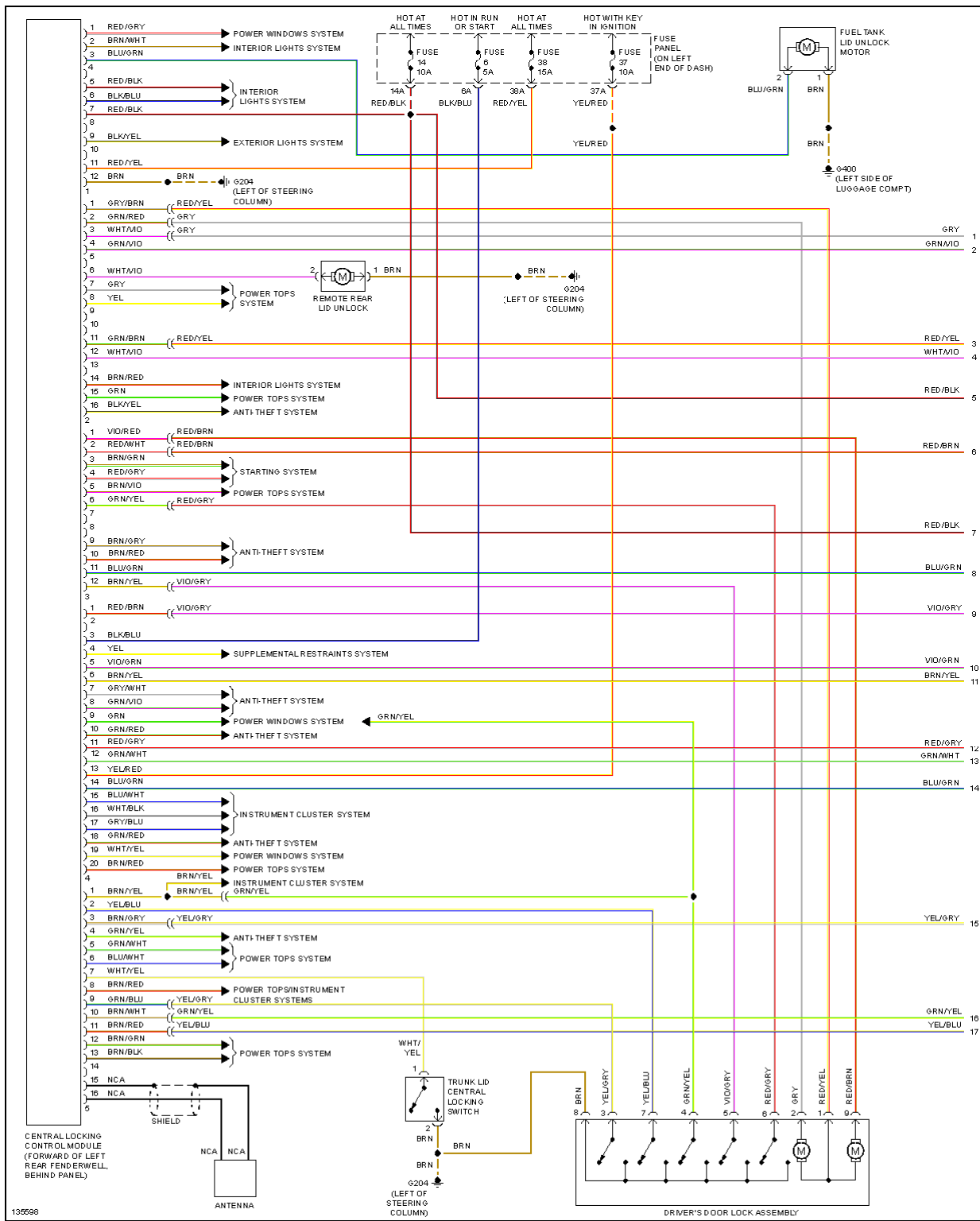
## **POWER DOOR LOCKS**



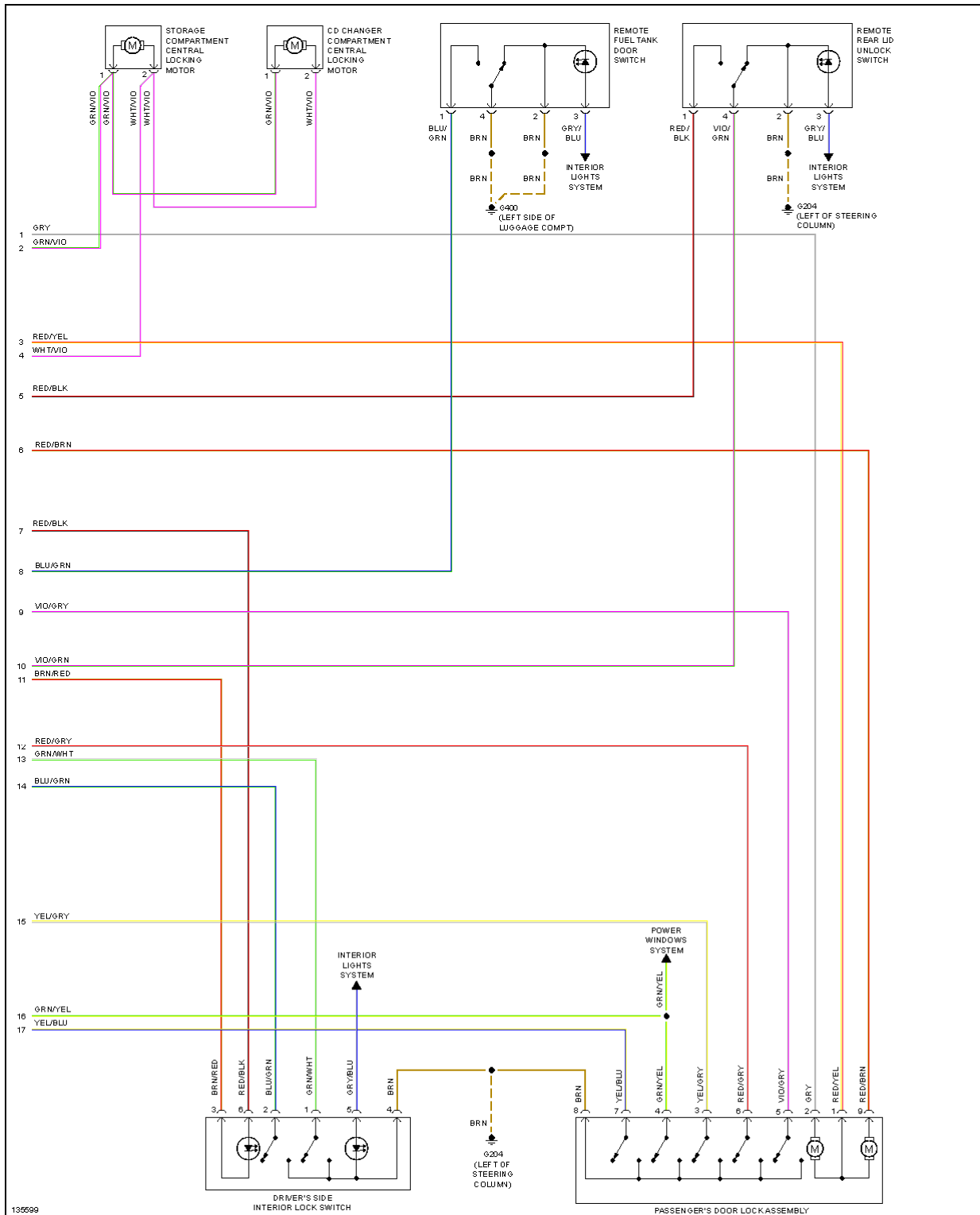
**Fig. 37: Power Door Locks Circuit, Coupe (1 of 2)**



**Fig. 38: Power Door Locks Circuit, Coupe (2 of 2)**



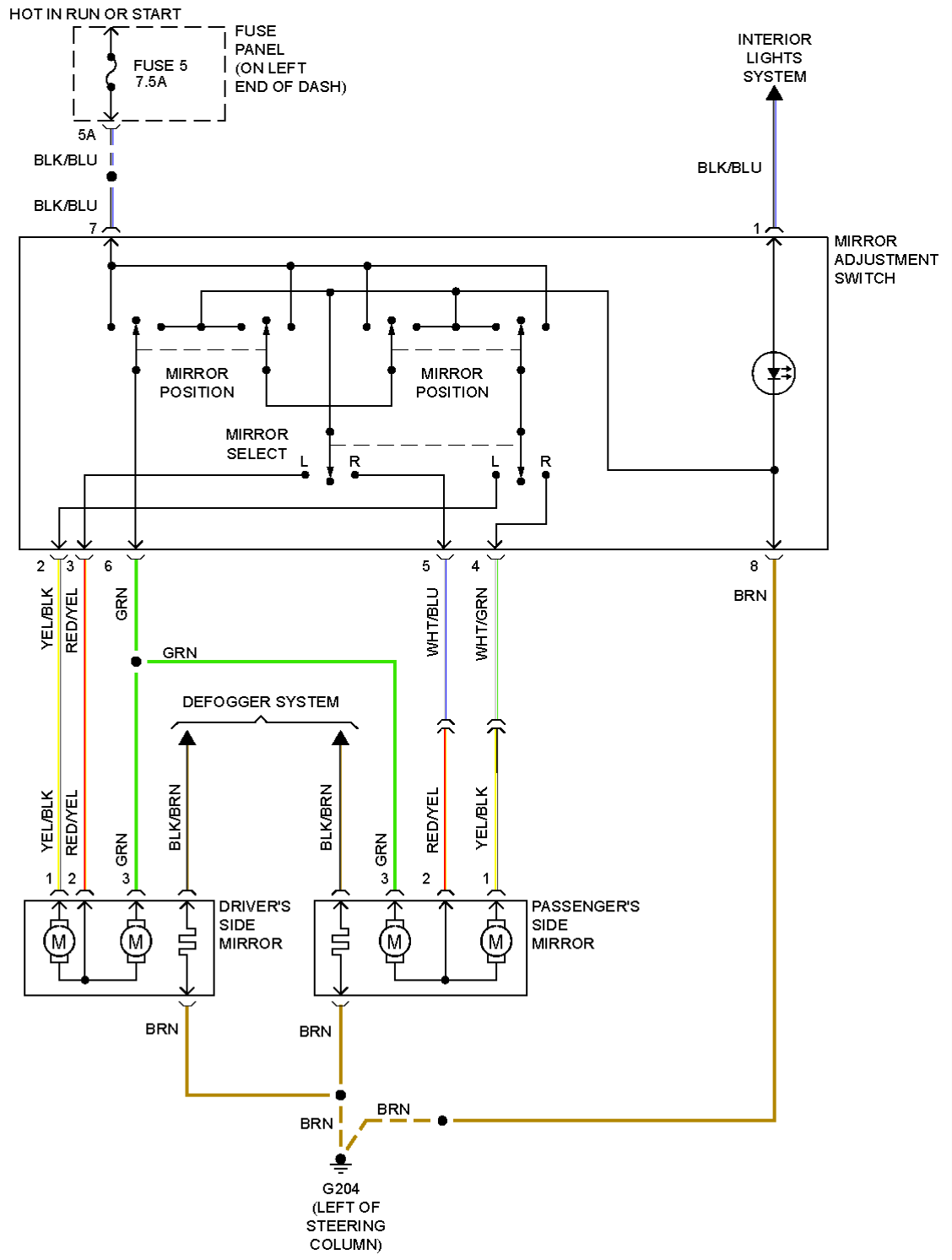
**Fig. 39: Power Door Locks Circuit, Roadster (1 of 2)**





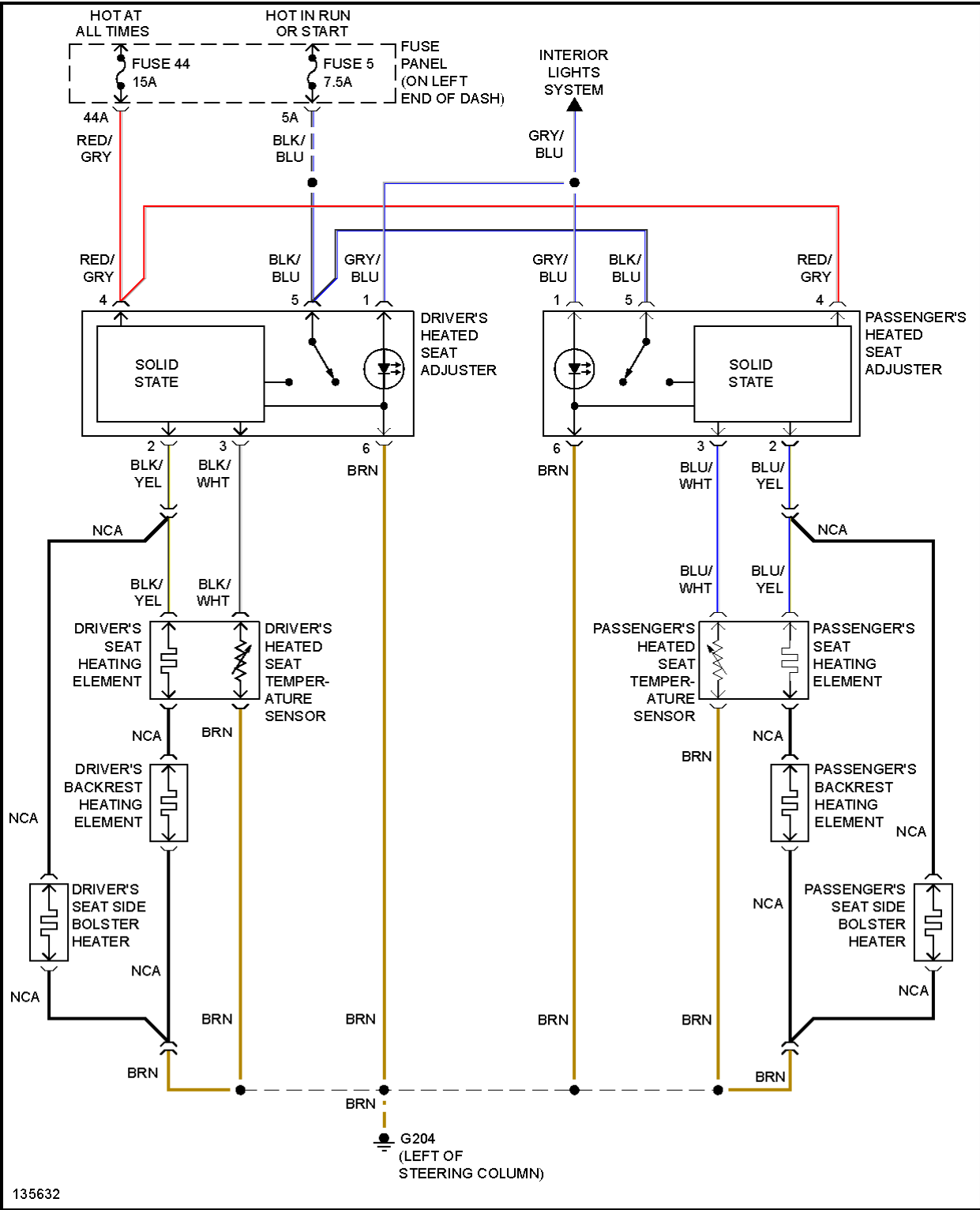
**Fig. 40: Power Door Locks Circuit, Roadster (2 of 2)**

## **POWER MIRRORS**



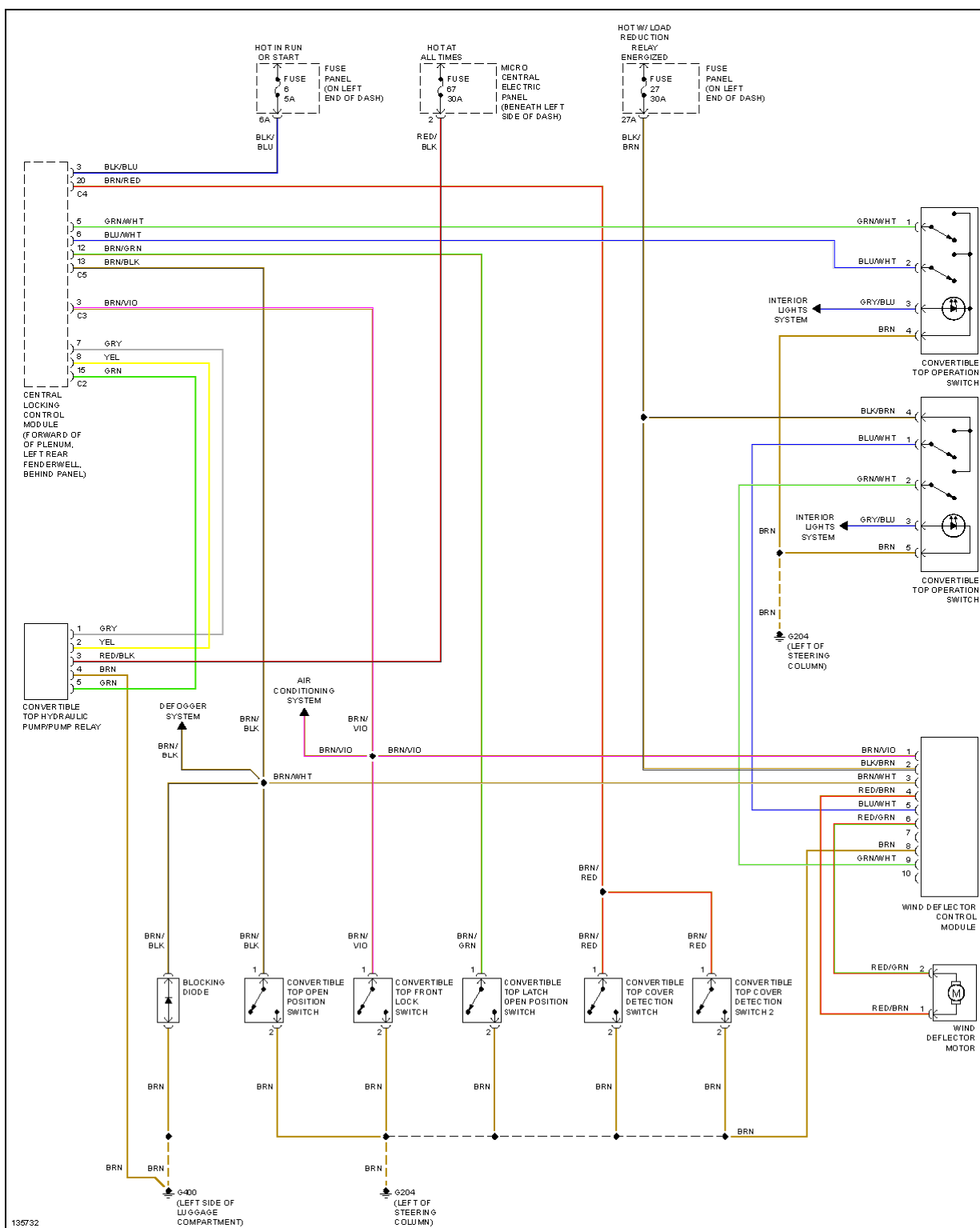
**Fig. 41: Power Mirrors Circuit**

**POWER SEATS**



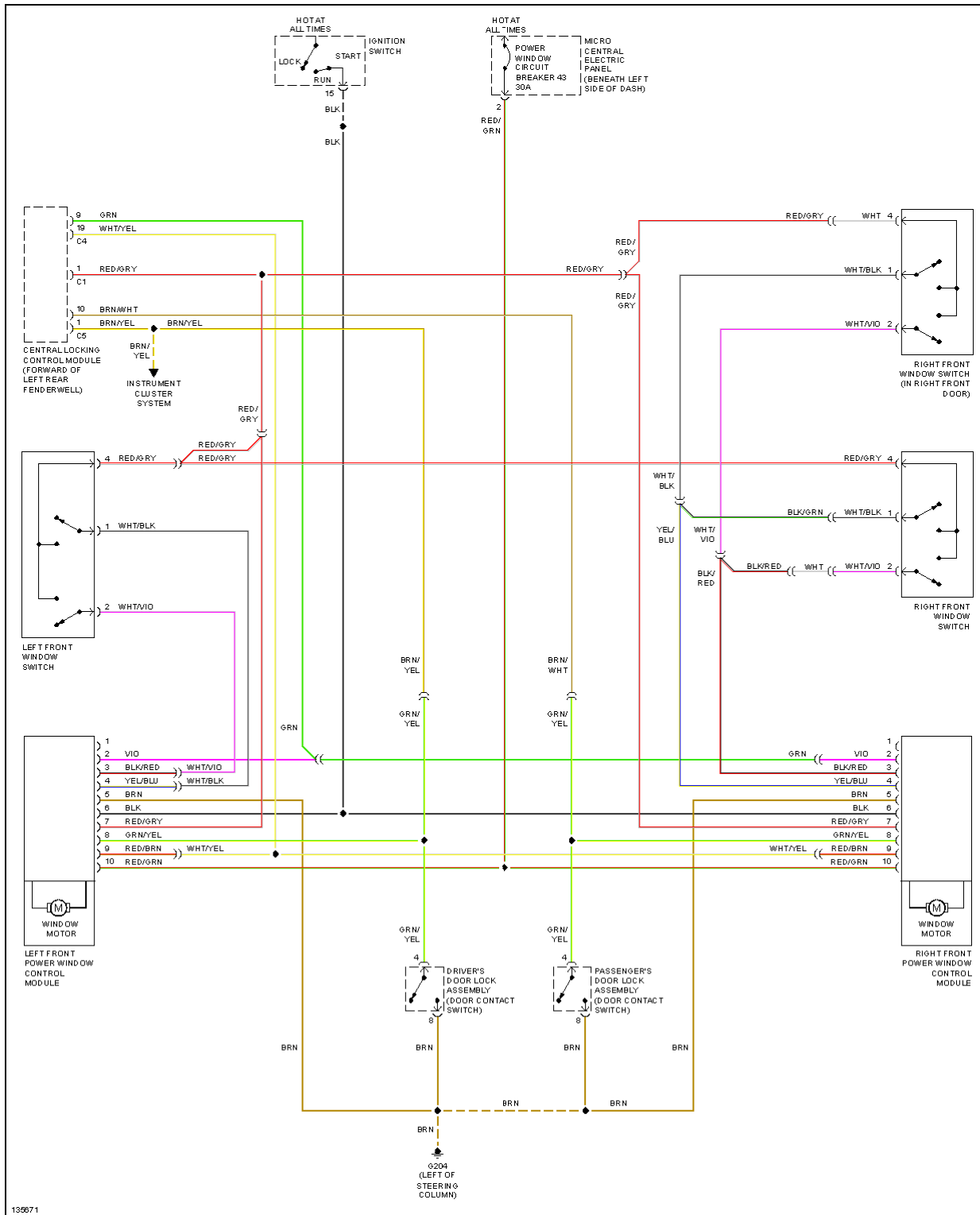
**Fig. 42: Heated Seats Circuit**

**POWER TOP/SUNROOF**



**Fig. 43: Convertible Top Circuit**

**POWER WINDOWS**





**Fig. 44: Power Windows Circuit**

**RADIO**

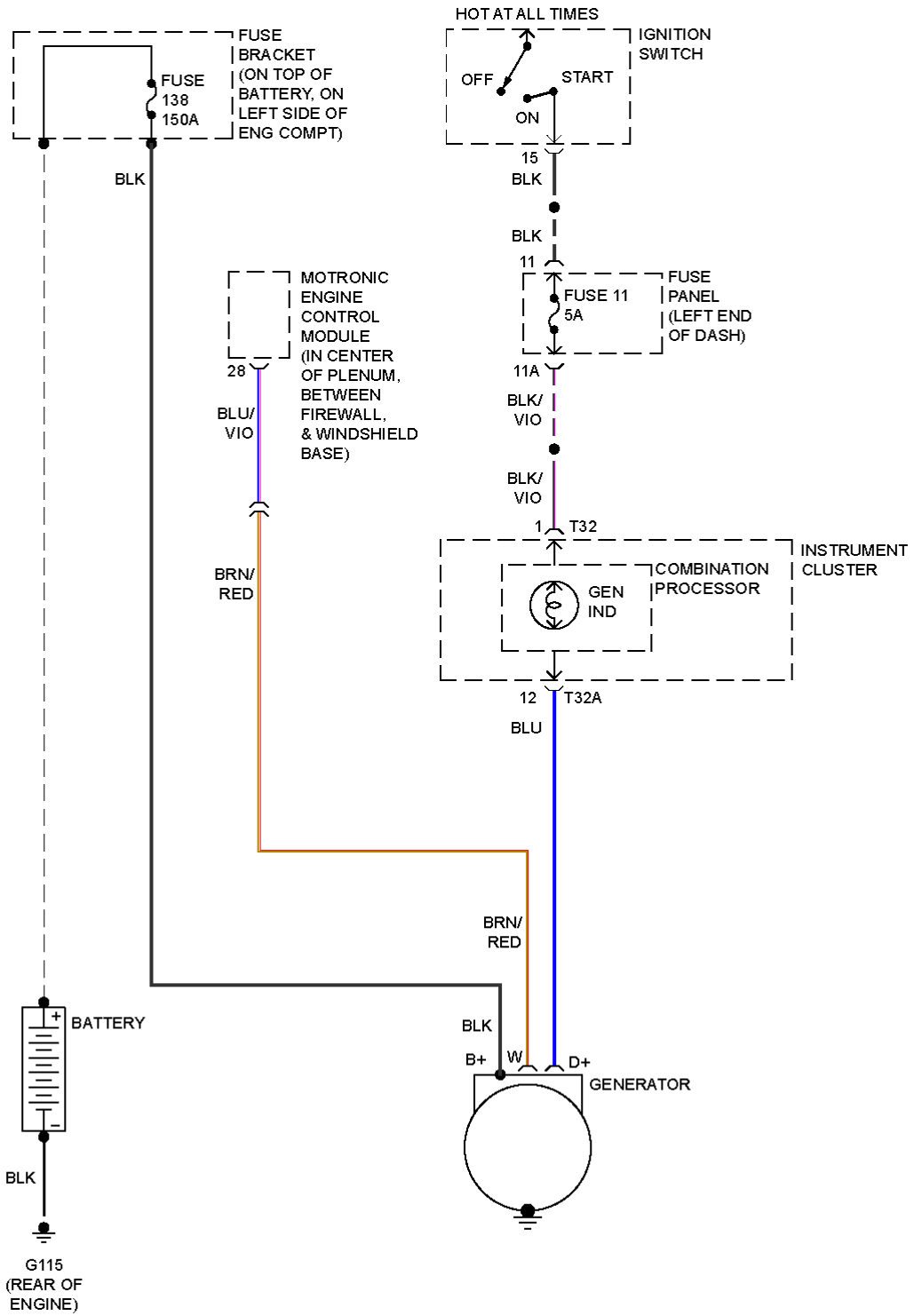


**Fig. 45: Radio Circuit, W/ Bose System**

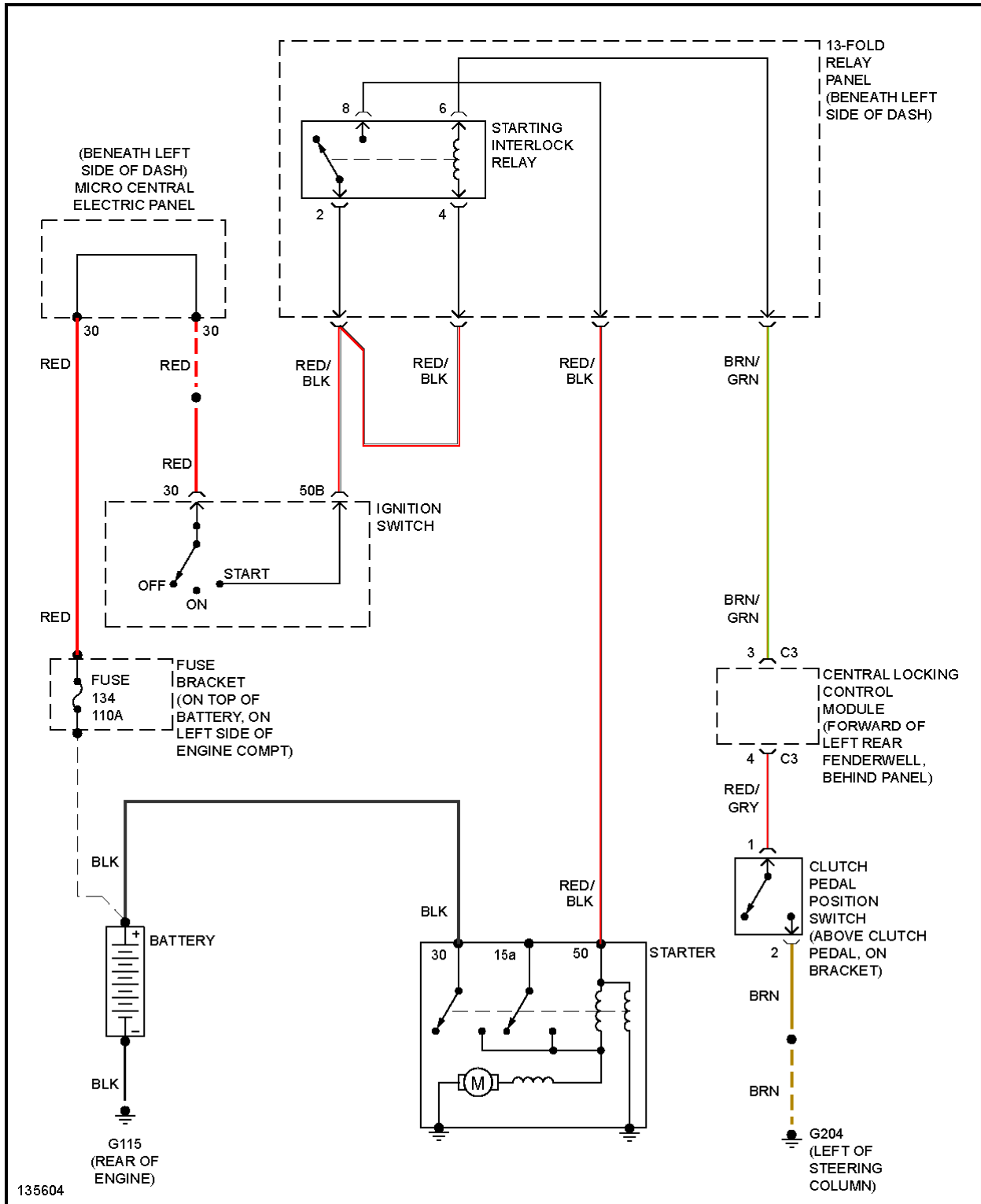


**Fig. 46: Radio Circuit, W/O Bose System**

**STARTING/CHARGING**



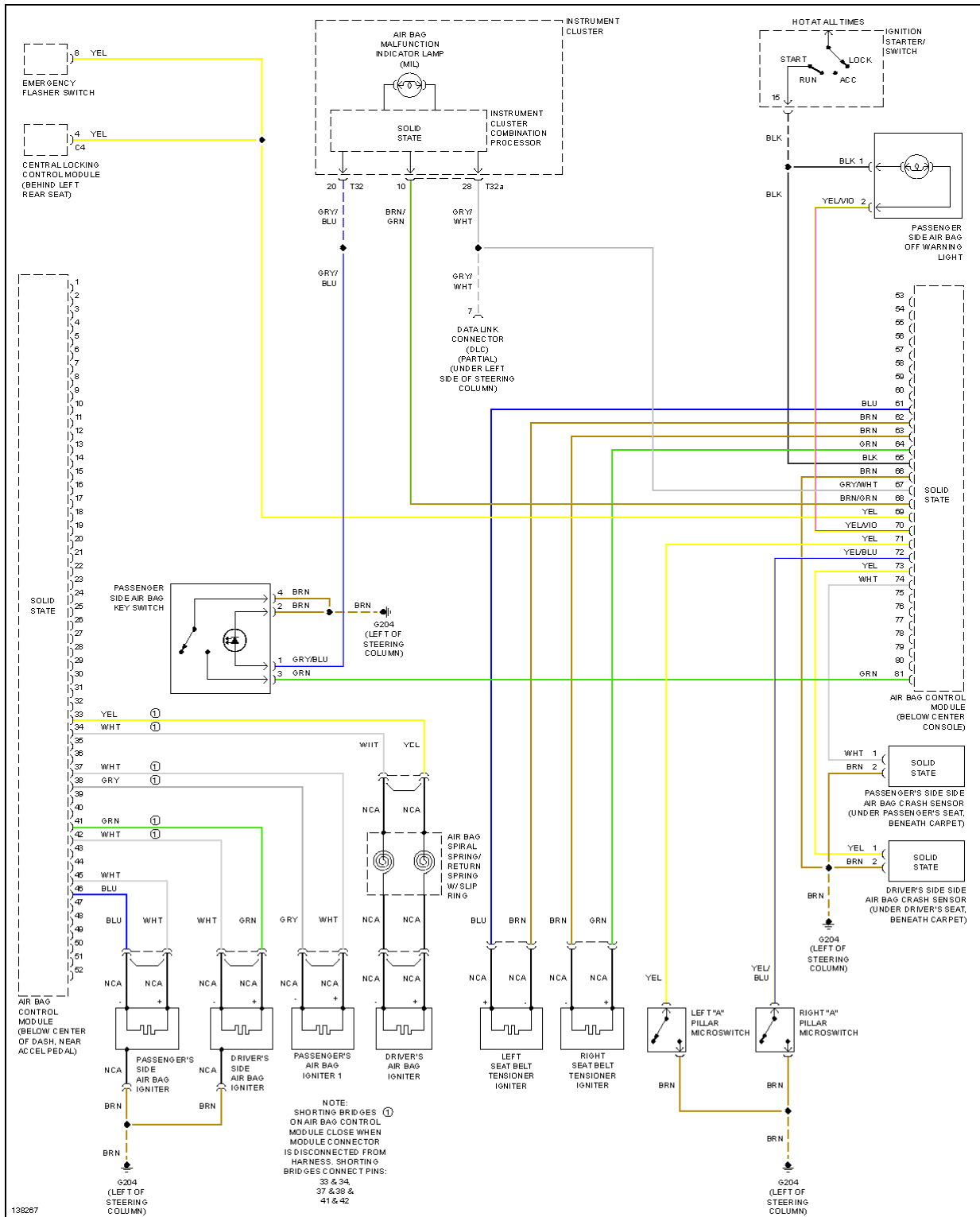
**Fig. 47: Charging Circuit**





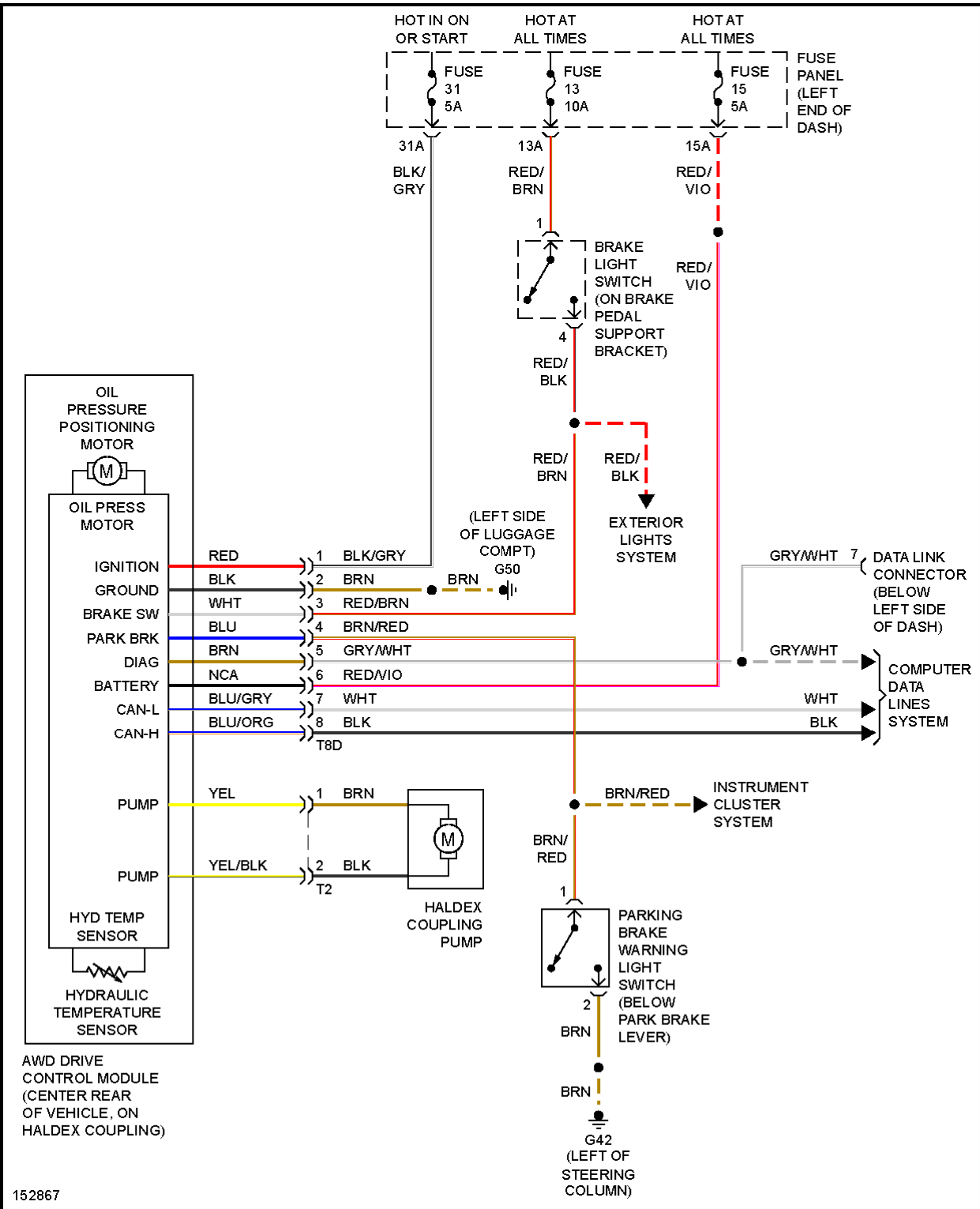
**Fig. 48: Starting Circuit**

**SUPPLEMENTAL RESTRAINTS**



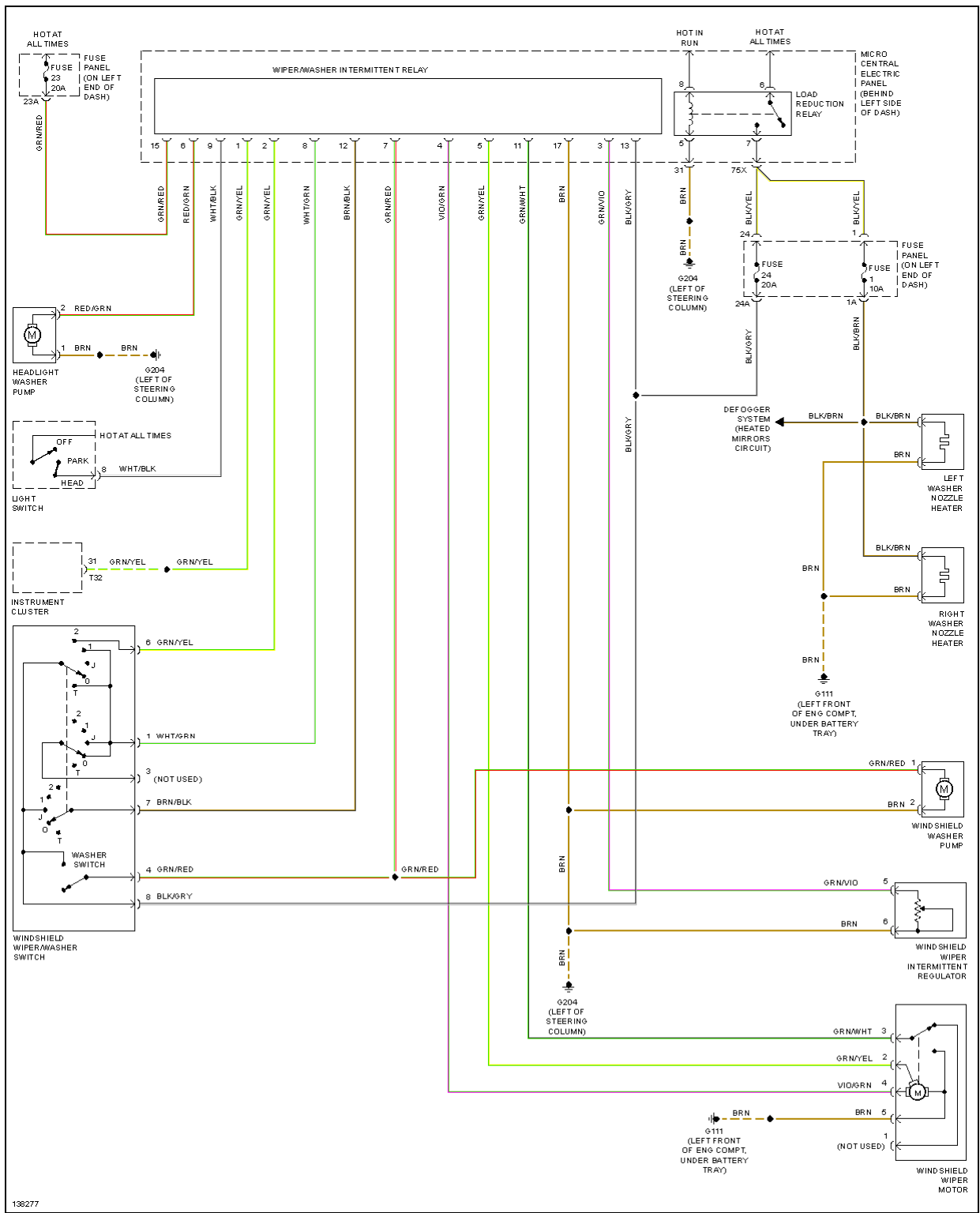
**Fig. 49: Supplemental Restraints Circuit**

**TRANSMISSION**



**Fig. 50: 4WD Circuit**

**WIPER/WASHER**



**Fig. 51: Front Wiper/Washer & Headlamp Washer Circuit**